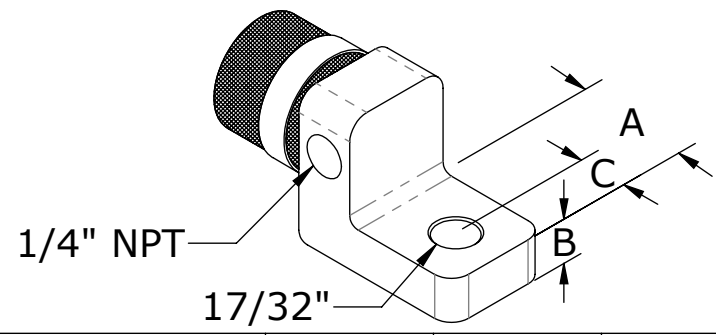
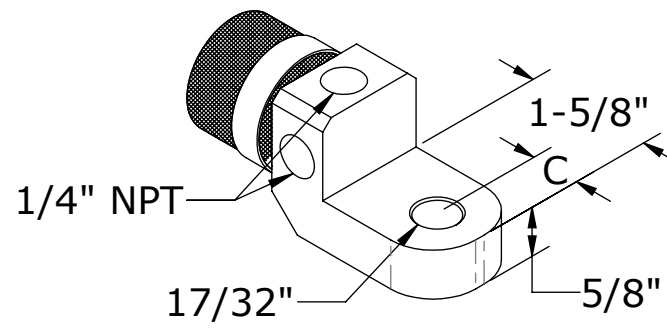


"CB"



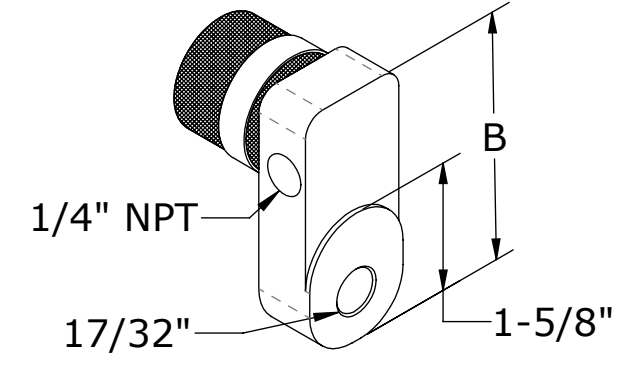
	A =	B =	C =
350-400MCM	1-5/16"	1/2"	9/16"
450-600MCM	1-7/16"	1/2"	5/8"
750-1000MCM	1-1/2"	9/16"	5/8"

"CDB"



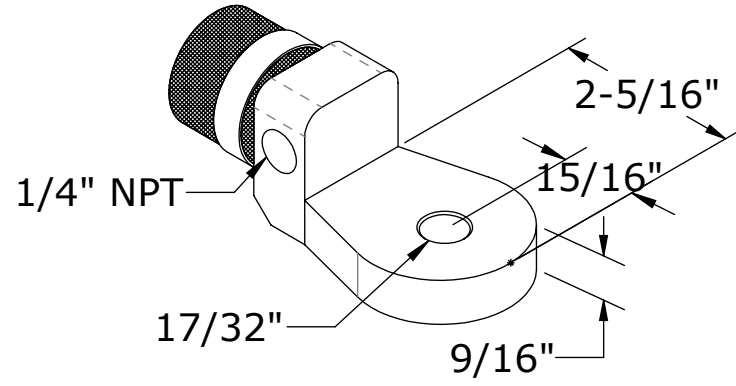
	C =
350-600MCM	9/16" BACK
750-1000MCM	5/8" BACK

"CB-2"

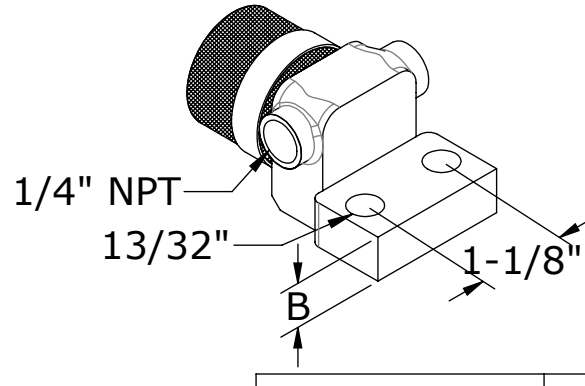


	B =
350-400MCM	2-11/16"
450-1000MCM	3-1/8"

"CB-9"

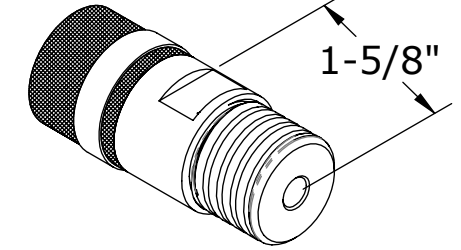


"CB-11"



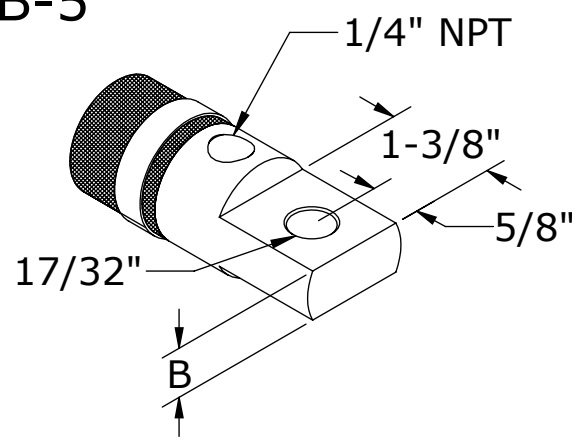
	B =
350-600MCM	3/8"
750-1000MCM	9/16"

"CB-4"

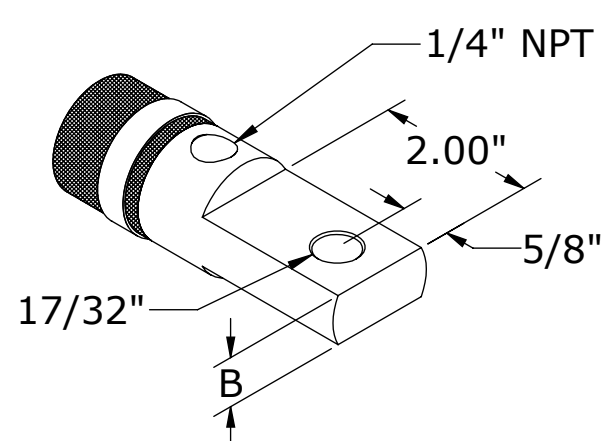


1/2", 3/8" AND 3/4" NPT  
METRIC THREADS ALSO AVAILABLE  
(PLEASE SPECIFY)

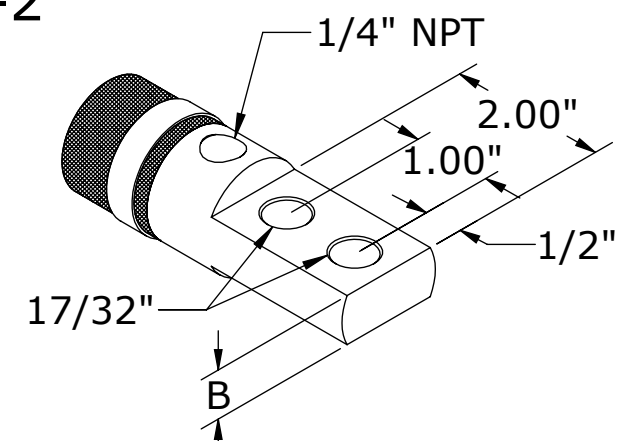
"CB-5"



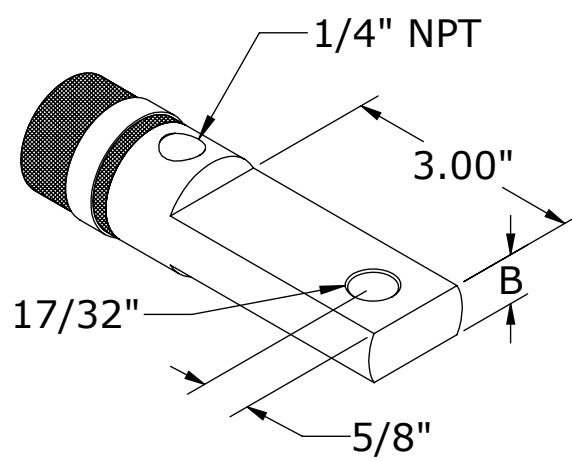
"CB-6"



"CB-6-2"



"CB-7"



B = THICKNESS	B = THICKNESS
350-400MCM	450-1000MCM
9/16" THICK	5/8" THICK

WCJ TERMINAL DATA

MCM SIZE	TERMINAL DIA	OUTER HOSE DIA (O.D.)
150-300MCM	1.00"	1-3/8"
350-400MCM	1-1/8"	1-5/8"
450-600MCM	1-1/4"	1-3/4"
650-750MCM	1-1/2"	2"
1000MCM	1-1/2"	2"
1200MCM	1-13/16"	2-3/8"

TERMINALS FURNISHED AS SHOWN  
**UNLESS** CHANGES ARE SPECIFIED.