

SEEDORFF ACME

Corporation



Hand Pieces and Power Supplies Catalog **2019**

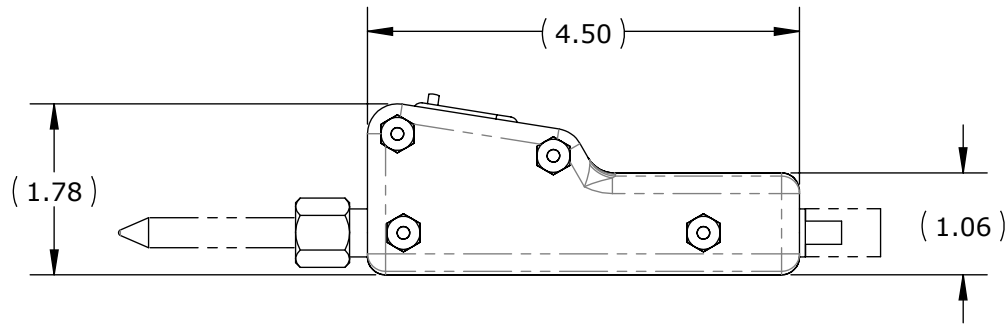


2

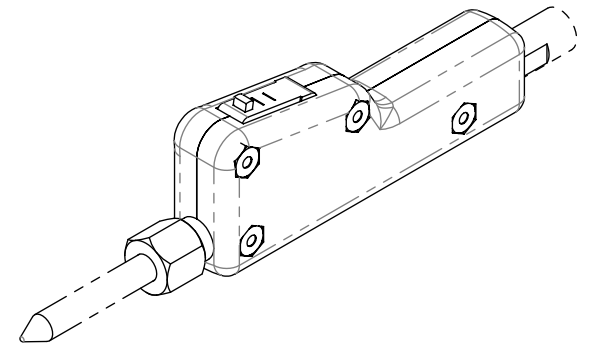
1

B

B



MODEL DESCRIPTION:
 MINIATURE HAND PROBE TYPE SPOT WELD GUN WITH AIR COOLED CABLES.
 DESIGNED TO SERVE LIGHT DUTY APPLICATIONS.



ELECTRODE IS SHOWN AS REFERENCE ONLY.

A

A

2

1

ALL INFORMATION CONTAINED IN THIS DOCUMENT IS PROPERTY OF SEEDORFF ACME CORP. AND MAY NOT BE REPRODUCED IN WHOLE OR PART WITHOUT PERMISSION OF SEEDORFF ACME CORP.

SEEDORFF

RESISTANCE WELDING EQUIPMENT
 ANAHEIM, CA
 SEEDORFFACME.COM

FEATHERLIGHT HAND PIECE

PART NO. 101852-001

DWG. NO. R00012

2

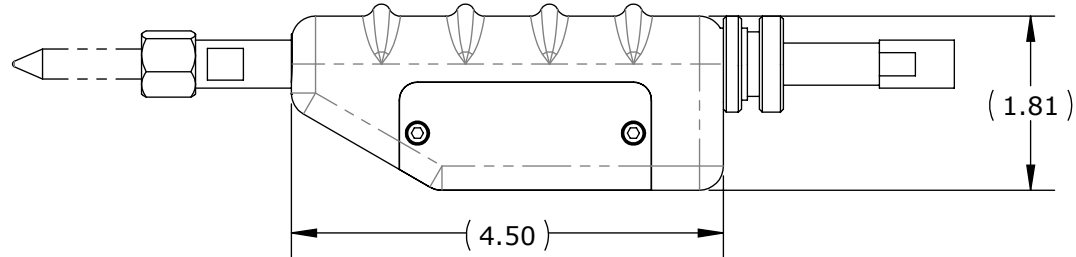
1

PART NUMBER	DESCRIPTION	LEGACY P/N
101384-001	LIGHT DUTY FORCE FIRED HAND PIECE - AC	5687A
101384-003	HEAVY DUTY FORCE FIRED HAND PIECE - AC	5687A
101384-005	LIGHT DUTY FORCE FIRED HAND PIECE - WC	5687A-WC
101384-007	HEAVY DUTY FORCE FIRED HAND PIECE - WC	5687A-WC

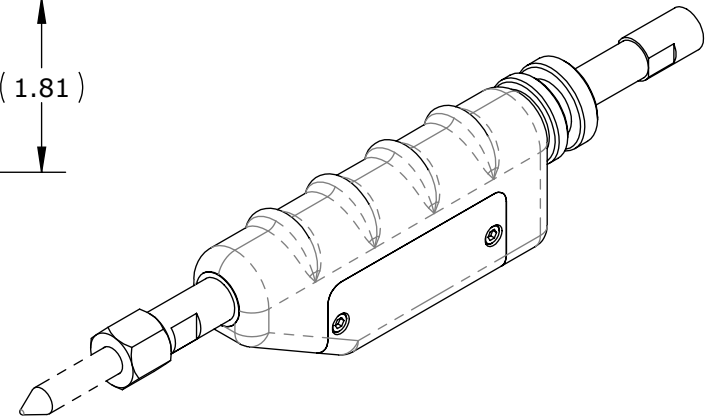
B

B

101384-001 & 101384-003

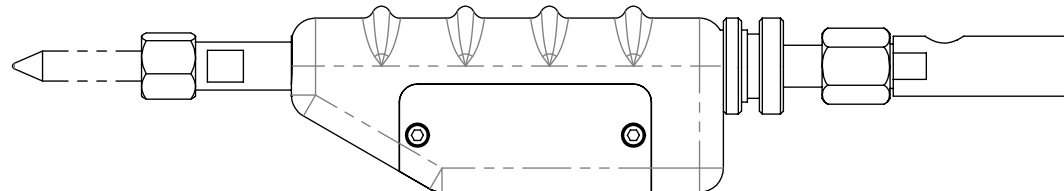


MODEL DESCRIPTION:
 MINITURE PUSH TYPE SPOT WELD GUN. AIR COOLED CABLE.
 INTERNAL FIRING SWITCH IS ACTUATED WHEN WELD GUN HAS REACHED
 DESIRED WELDING PRESSURE. WELD PRESSURE IS SET AT REAR OF GUN.



ELECTRODES ARE SHOWN AS REFERENCE ONLY.

101384-005 & 101384-007



MODEL DESCRIPTION:
 MINITURE PUSH TYPE SPOT WELD GUN. WATER COOLED CABLE.
 INTERNAL FIRING SWITCH IS ACTUATED WHEN WELD GUN HAS REACHED
 DESIRED WELDING PRESSURE. WELD PRESSURE IS SET AT REAR OF GUN.

A

A

ALL INFORMATION CONTAINED IN
 THIS DOCUMENT IS PROPERTY OF
 SEEDORFF ACME CORP. AND MAY
 NOT BE REPRODUCED IN WHOLE
 OR PART WITHOUT PERMISSION
 OF SEEDORFF ACME CORP.

SEEDORFF

RESISTANCE WELDING EQUIPMENT
 ANAHEIM, CA
 SEEDORFFACME.COM

FORCE FIRED HAND PIECE

PART NO. SEE TABLE

DWG. NO. R00007

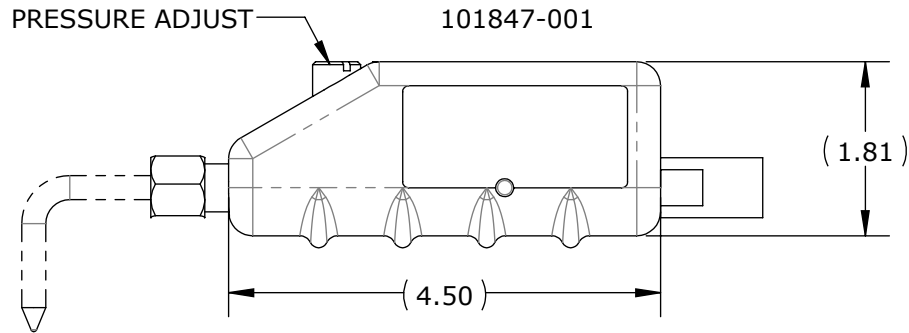
2

1

2

1

PART NUMBER	DESCRIPTION	LEGACY P/N
101847-001	FORCE FIRED HAND PIECE - AC	5945E
101847-003	FORCE FIRED HAND PIECE - WC	5945E-WC

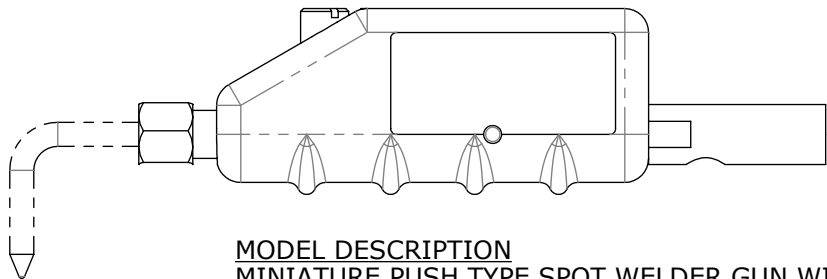


MODEL DESCRIPTION
 MINIATURE PUSH TYPE SPOT WELDER GUN WITH AIR COOLED CABLE.
 INTERNAL FIRING SWITCH IS ACTUATED
 WHEN WELD GUN HAS REACHED DESIRED WELDING PRESSURE.
 WELD PRESSURE IS SET AT TOP OF GUN

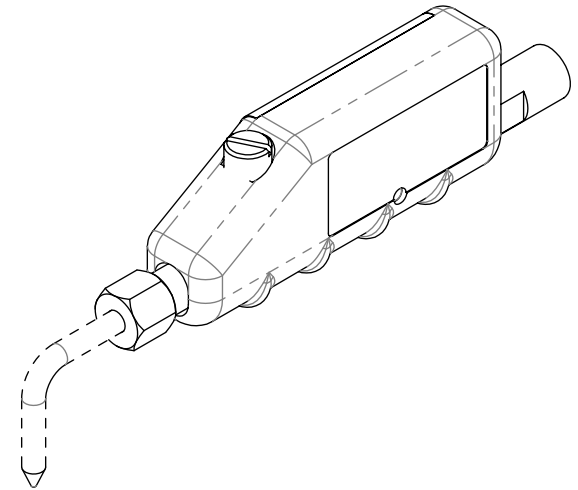
DIRECTIONAL
 FORCE



101847-003



MODEL DESCRIPTION
 MINIATURE PUSH TYPE SPOT WELDER GUN WITH WATER COOLED CABLE.
 INTERNAL FIRING SWITCH IS ACTUATED
 WHEN WELD GUN HAS REACHED DESIRED WELDING PRESSURE.
 WELD PRESSURE IS SET AT TOP OF GUN



ELECTRODES ARE SHOWN AS REFERENCE ONLY.

B

B

A

A

ALL INFORMATION CONTAINED IN
 THIS DOCUMENT IS PROPERTY OF
 SEEDORFF ACME CORP. AND MAY
 NOT BE REPRODUCED IN WHOLE
 OR PART WITHOUT PERMISSION
 OF SEEDORFF ACME CORP.

SEEDORFF

RESISTANCE WELDING EQUIPMENT
 ANAHEIM, CA
 SEEDORFFACME.COM

FORCE FIRED HAND PIECE

PART NO. SEE TABLE

DWG. NO. R00009

2

1

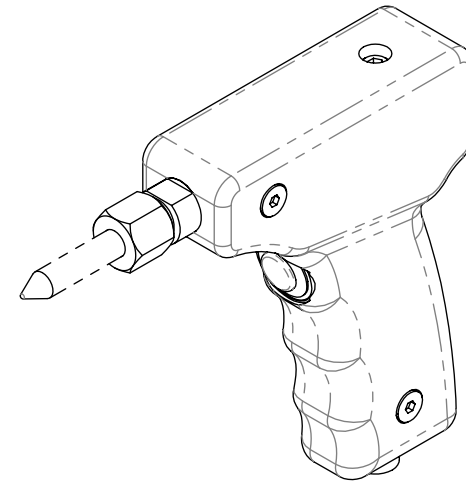
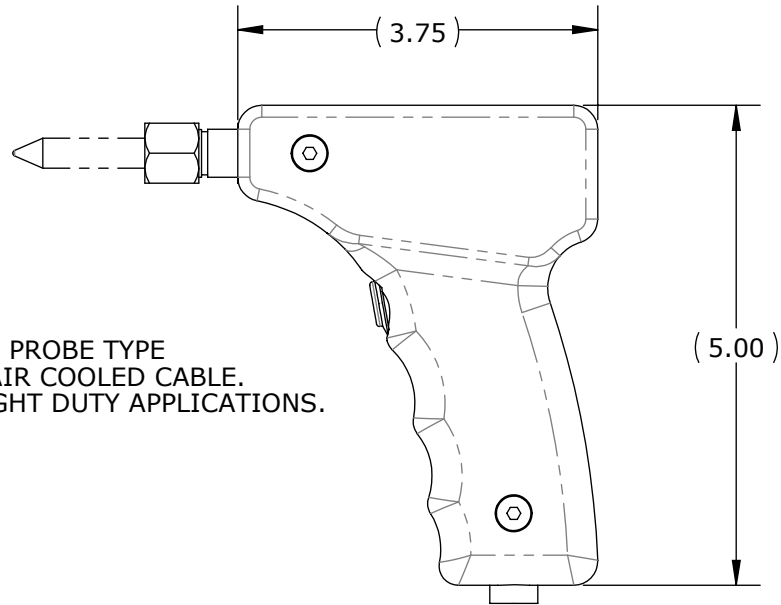
2

1

B

B

MODEL DESCRIPTION:
 MINIATURE PISTOL GRIP PROBE TYPE
 SPOT WELD GUN WITH AIR COOLED CABLE.
 DESIGNED TO SERVE LIGHT DUTY APPLICATIONS.



ELECTRODE IS SHOWN AS REFERENCE ONLY.

A

A

ALL INFORMATION CONTAINED IN
 THIS DOCUMENT IS PROPERTY OF
 SEEDORFF ACME CORP. AND MAY
 NOT BE REPRODUCED IN WHOLE
 OR PART WITHOUT PERMISSION
 OF SEEDORFF ACME CORP.

SEEDORFF

RESISTANCE WELDING EQUIPMENT
 ANAHEIM, CA
 SEEDORFFACME.COM

PISTOL GRIP HAND PIECE

PART NO. 101220-001

DWG. NO. R00006

2

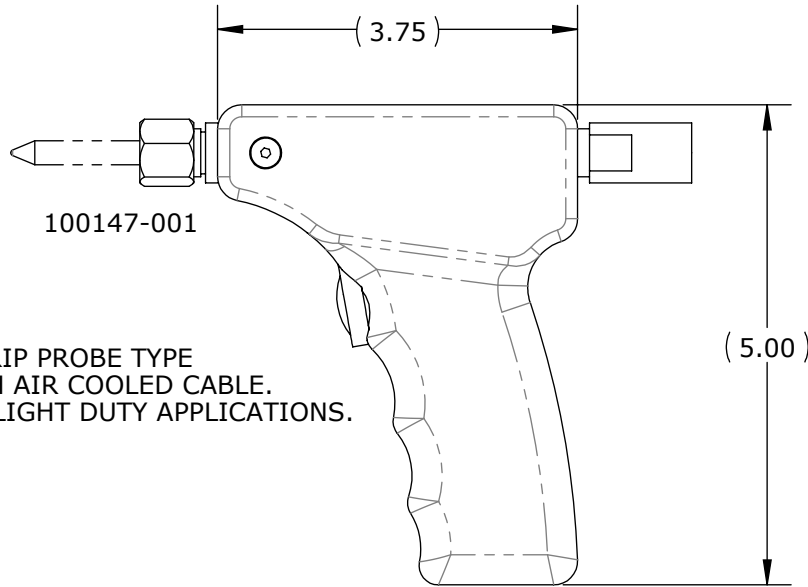
1

2

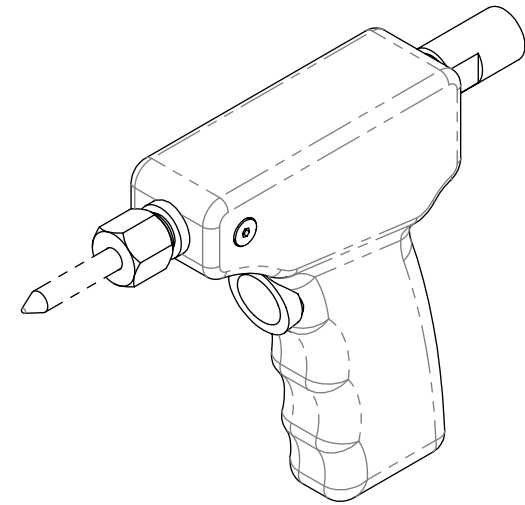
1

PART NUMBER	DESCRIPTION	LEGACY P/N
100147-001	PISTOL GRIP HAND PIECE - AC	8002-40
100147-003	PISTOL GRIP HAND PIECE - WC	8002-40-WC

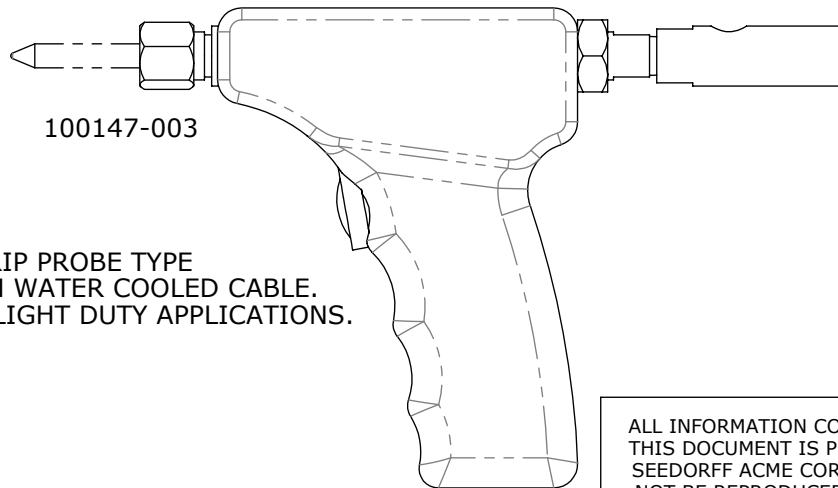
B



MODEL DESCRIPTION:
 MINIATURE PISTOL GRIP PROBE TYPE
 SPOT WELD GUN WITH AIR COOLED CABLE.
 DESIGNED TO SERVE LIGHT DUTY APPLICATIONS.



B



MODEL DESCRIPTION:
 MINIATURE PISTOL GRIP PROBE TYPE
 SPOT WELD GUN WITH WATER COOLED CABLE.
 DESIGNED TO SERVE LIGHT DUTY APPLICATIONS.

ELECTRODES ARE SHOWN AS REFERENCE ONLY.

A

A

ALL INFORMATION CONTAINED IN
 THIS DOCUMENT IS PROPERTY OF
 SEEDORFF ACME CORP. AND MAY
 NOT BE REPRODUCED IN WHOLE
 OR PART WITHOUT PERMISSION
 OF SEEDORFF ACME CORP.

SEEDORFF

RESISTANCE WELDING EQUIPMENT
 ANAHEIM, CA
 SEEDORFFACME.COM

PISTOL GRIP HAND PIECE

PART NO. SEE TABLE

DWG. NO. R00005

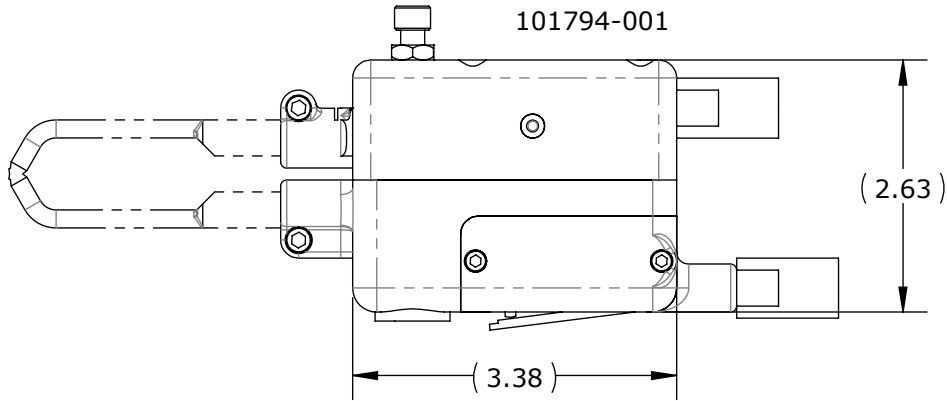
2

1

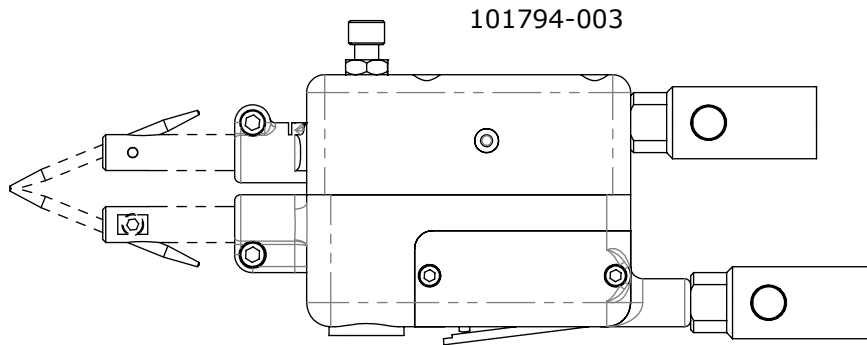
2

1

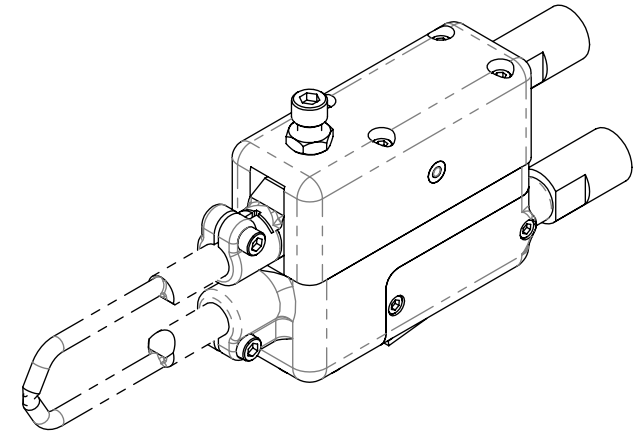
PART NUMBER	DESCRIPTION	LEGACY P/N
101794-001	PNEUMATIC HAND PIECE - AC	5803
101794-003	PNEUMATIC HAND PIECE - WC	5803-WC



MODEL DESCRIPTION:
 20 OZ. PNEUMATIC MINIATURE SCISSOR GUN
 WITH AIR COOLED CABLES AND ADJUSTABLE STROKE.
 ELECTRODE FORCE = 15 LBS. AT 80 P.S.I.



MODEL DESCRIPTION:
 20 OZ. PNEUMATIC MINIATURE SCISSOR GUN
 WITH WATER COOLED CABLES AND ADJUSTABLE STROKE.
 ELECTRODE FORCE = 15 LBS. AT 80 P.S.I.



ELECTRODES ARE SHOWN AS REFERENCE ONLY.

B

B

A

A

2

1

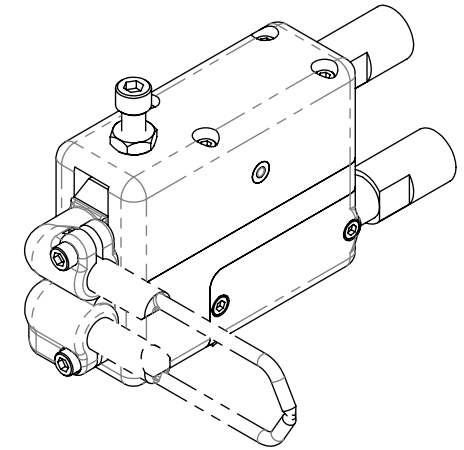
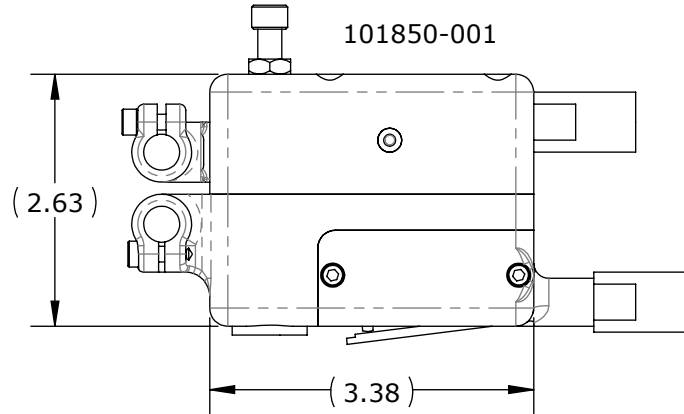
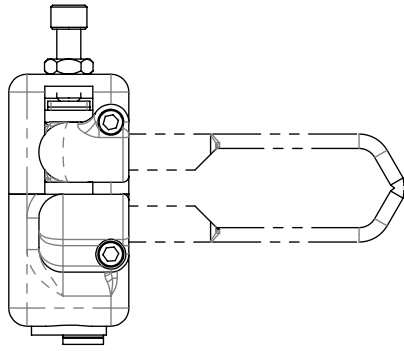
ALL INFORMATION CONTAINED IN THIS DOCUMENT IS PROPERTY OF SEEDORFF ACME CORP. AND MAY NOT BE REPRODUCED IN WHOLE OR PART WITHOUT PERMISSION OF SEEDORFF ACME CORP.

SEEDORFF	
RESISTANCE WELDING EQUIPMENT ANAHEIM, CA SEEDORFFACME.COM	
PNEUMATIC HAND PIECE	
PART NO.	SEE TABLE
DWG. NO.	R00004

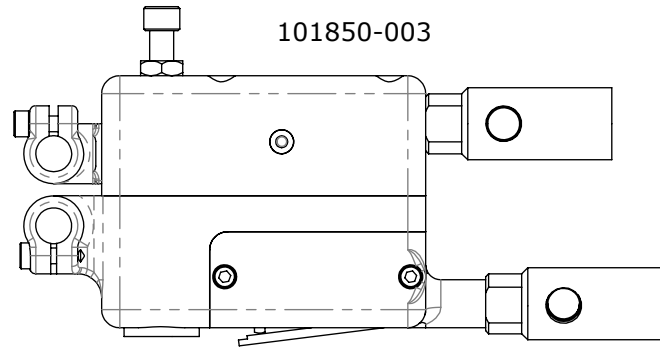
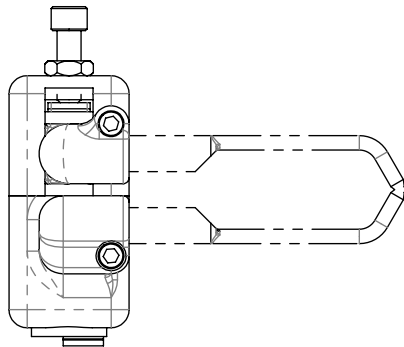
2

1

PART NUMBER	DESCRIPTION	LEGACY P/N
101850-001	PNEUMATIC HAND PIECE - AC	5808
101850-003	PNEUMATIC HAND PIECE - WC	5808-WC

**MODEL DESCRIPTION**

20 OZ. PNEUMATIC MINIATURE SCISSOR GUN.
RIGHT ANGLED, WITH AIR COOLED CABLE S AND ADJUSTABLE STROKE.
ELECTRODE PRESSURE = 15 LBS. AT 80 P.S.I.



ELECTRODES ARE SHOWN AS REFERENCE ONLY.

MODEL DESCRIPTION

20 OZ. PNEUMATIC MINIATURE SCISSOR GUN.
RIGHT ANGLED, WITH WATER COOLED CABLE S AND ADJUSTABLE STROKE.
ELECTRODE PRESSURE = 15 LBS. AT 80 P.S.I.

ALL INFORMATION CONTAINED IN THIS DOCUMENT IS PROPERTY OF SEEDORFF ACME CORP. AND MAY NOT BE REPRODUCED IN WHOLE OR PART WITHOUT PERMISSION OF SEEDORFF ACME CORP.

SEEDORFF

RESISTANCE WELDING EQUIPMENT
ANAHEIM, CA
SEEDORFFACME.COM

PNEUMATIC HAND PIECE

PART NO. SEE TABLE

DWG. NO. R00010

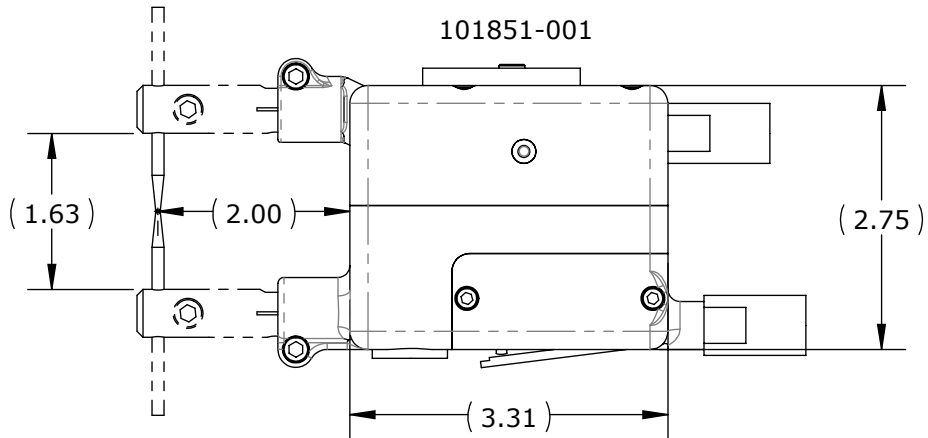
2

1

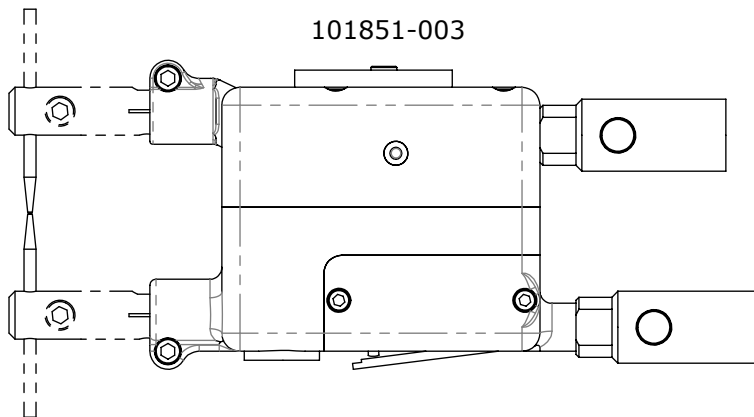
2

1

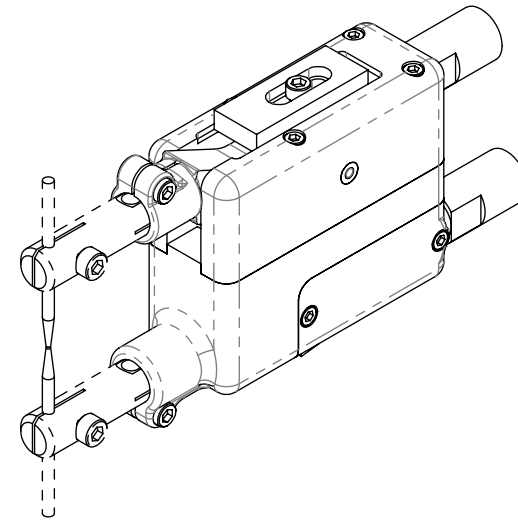
PART NUMBER	DESCRIPTION	LEGACY P/N
101851-001	PNEUMATIC HAND PIECE - AC	5689
101851-003	PNEUMATIC HAND PIECE - WC	5689-WC



MODEL DESCRIPTION:
 20 OZ. PNEUMATIC MINATURE SCISSOR GUN
 WITH AIR COOLED CABLES AND ADJUSTABLE STROKE.
 ELECTRODE FORCE = 15 LBS. AT 80 P.S.I.



MODEL DESCRIPTION:
 20 OZ. PNEUMATIC MINATURE SCISSOR GUN
 WITH WATER COOLED CABLES AND ADJUSTABLE STROKE.
 ELECTRODE FORCE = 15 LBS. AT 80 P.S.I.



ELECTRODES ARE SHOWN AS REFERENCE ONLY.

SEEDORFF	
RESISTANCE WELDING EQUIPMENT ANAHEIM, CA SEEDORFFACME.COM	
PNEUMATIC HAND PIECE	
PART NO.	SEE TABLE
DWG. NO.	R00011

ALL INFORMATION CONTAINED IN
 THIS DOCUMENT IS PROPERTY OF
 SEEDORFF ACME CORP. AND MAY
 NOT BE REPRODUCED IN WHOLE
 OR PART WITHOUT PERMISSION
 OF SEEDORFF ACME CORP.

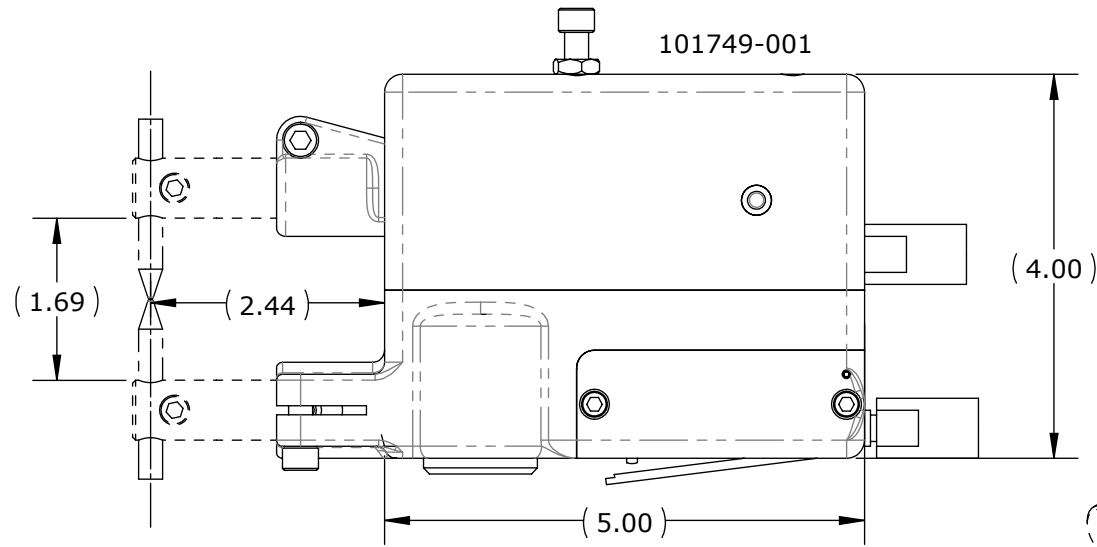
2

1

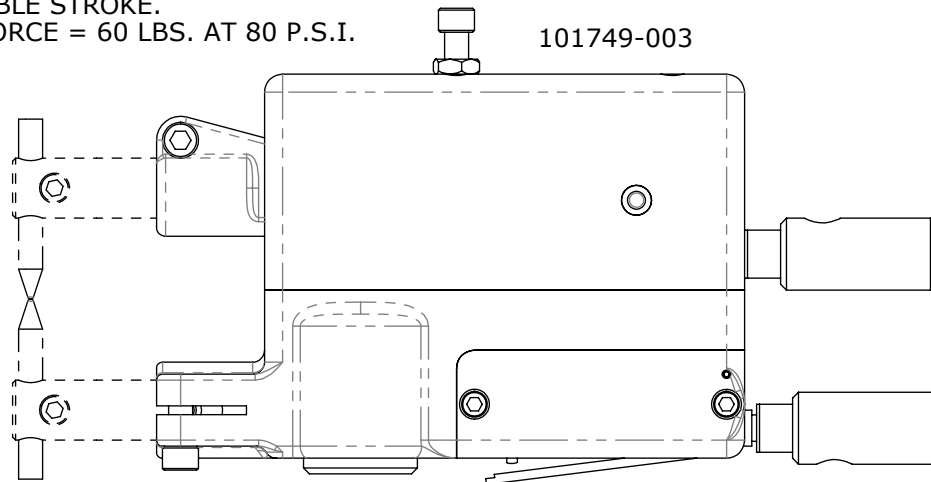
2

1

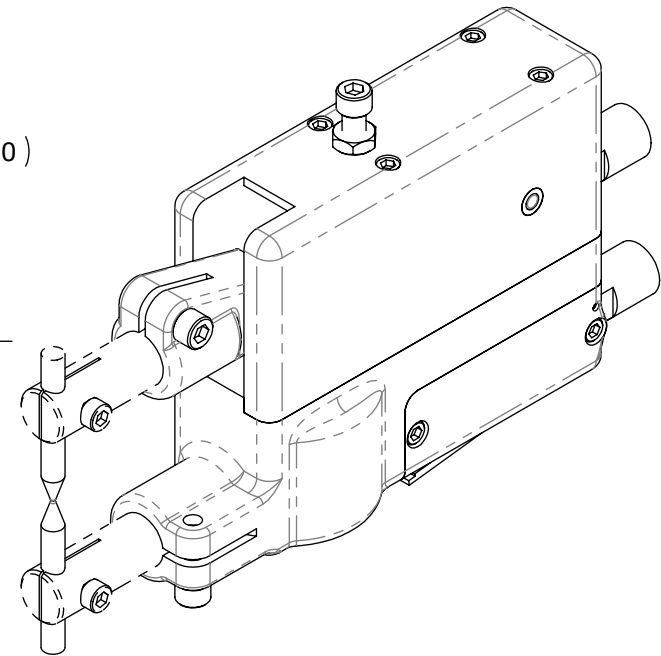
PART NUMBER	DESCRIPTION	LEGACY P/N
101749-001	PNEUMATIC HAND PIECE - AC	7130
101749-003	PNEUMATIC HAND PIECE - WC	7130-WC



MODEL DESCRIPTION:
PNEUMATIC MINIATURE SCISSOR GUN WITH AIR COOLED
AND ADJUSTABLE STROKE.
ELECTRODE FORCE = 60 LBS. AT 80 P.S.I.



MODEL DESCRIPTION:
PNEUMATIC MINIATURE SCISSOR GUN WITH WATER COOLED
AND ADJUSTABLE STROKE.
ELECTRODE FORCE = 60 LBS. AT 80 P.S.I.



ELECTRODES ARE SHOWN AS REFERENCE ONLY.

ALL INFORMATION CONTAINED IN
THIS DOCUMENT IS PROPERTY OF
SEEDORFF ACME CORP. AND MAY
NOT BE REPRODUCED IN WHOLE
OR PART WITHOUT PERMISSION
OF SEEDORFF ACME CORP.

SEEDORFF

RESISTANCE WELDING EQUIPMENT
ANAHEIM, CA
SEEDORFFACME.COM

PNEUMATIC HAND PIECE

PART NO.	SEE TABLE
DWG. NO.	R00008

2

1

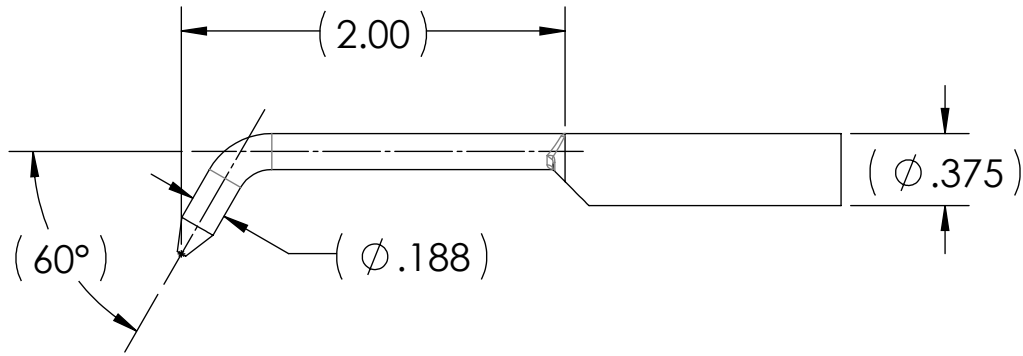
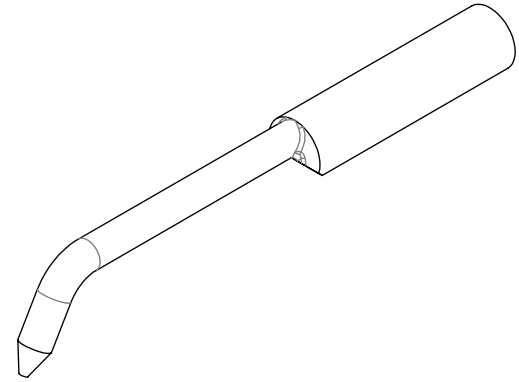
2

1

PART NUMBER	DESCRIPTION	LEGACY P/N
101823-003	Ø.188 ANGLED H.P. ELECTRODE - CL.2	2124-S
102767-003	Ø.188 ANGLED H.P. ELECTRODE - CL.3	N/A

B

B



ELECTRODE DESCRIPTION
 Ø.188 ANGLE HAND PIECE COPPER ELECTRODES.
 CUSTOM DIAMETER AND LENGTH ARE AVAILABLE.

A

A

ALL INFORMATION CONTAINED IN THIS DOCUMENT IS PROPERTY OF SEEDORFF ACME CORP. AND MAY NOT BE REPRODUCED IN WHOLE OR PART WITHOUT PERMISSION OF SEEDORFF ACME CORP.

SEEDORFF

RESISTANCE WELDING EQUIPMENT
 ANAHEIM, CA
 SEEDORFFACME.COM

ANGLED H. P. ELECTRODES

PART NO.

SEE TABLE

DWG. NO.

R00021

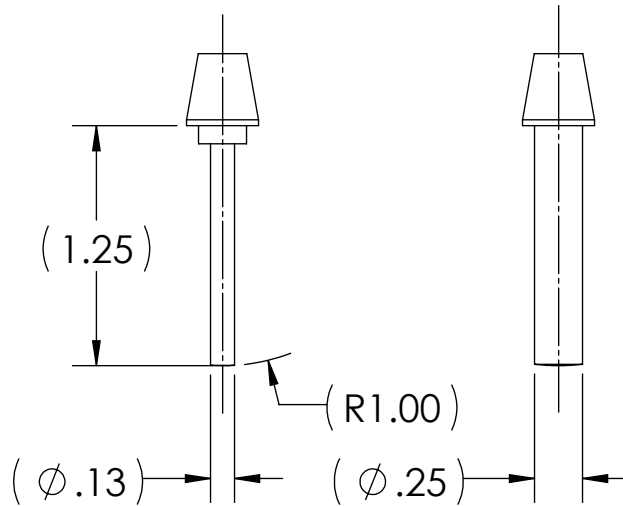
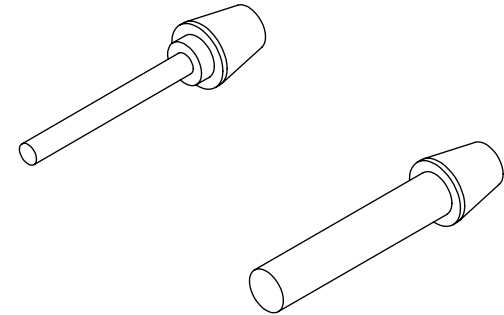
2

1

2

1

PART NUMBER	DESCRIPTION	LEGACY P/N
102755-001	Ø.125 STRAIGHT H.P. ELECTRODE - CL.2	2112-.125-1.25-R
102756-001	Ø.125 STRAIGHT H.P. ELECTRODE - CL.3	N/A
102757-001	Ø.250 STRAIGHT H.P. ELECTRODE - CL.2	2112-.250-1.25-R
102758-001	Ø.250 STRAIGHT H.P. ELECTRODE - CL.3	N/A



ELECTRODE DESCRIPTION
 STRAIGHT HAND PIECE COPPER ELECTRODES W/ 1.00" RAIDUS.
 CUSTOM DIAMETER AND LENGTH ARE AVAILABLE.

ALL INFORMATION CONTAINED IN THIS DOCUMENT IS PROPERTY OF SEEDORFF ACME CORP. AND MAY NOT BE REPRODUCED IN WHOLE OR PART WITHOUT PERMISSION OF SEEDORFF ACME CORP.

SEEDORFF	
RESISTANCE WELDING EQUIPMENT ANAHEIM, CA SEEDORFFACME.COM	
STRAIGHT H. P. ELECTRODE	
PART NO.	SEE TABLE
DWG. NO.	R00022

2

1

B

B

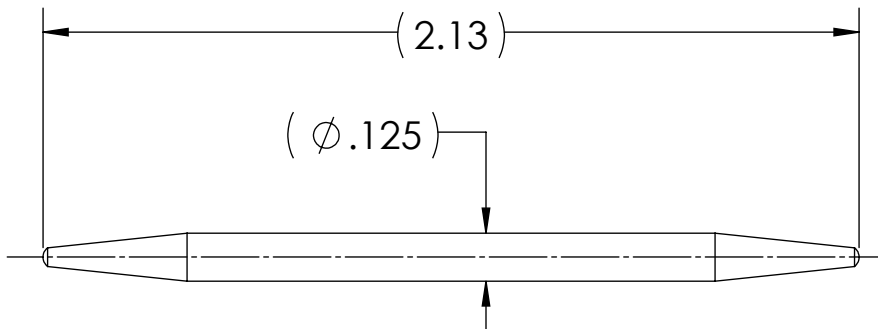
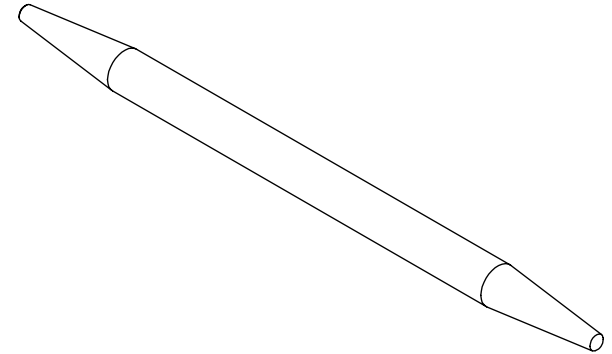
A

A

2

1

PART NUMBER	DESCRIPTION	LEGACY P/N
101626-001	Ø.125 DOUBLE ENDED ELECTRODE - CL.2	N/A
101627-001	Ø.125 DOUBLE ENDED ELECTRODE - CL.3	N/A



ELECTRODE DESCRIPTION
 DOUBLE ENDED HAND PIECE COPPER ELECTRODES.
 CUSTOM DIAMETER AND LENGTH ARE AVAILABLE.

ALL INFORMATION CONTAINED IN THIS DOCUMENT IS PROPERTY OF SEEDORFF ACME CORP. AND MAY NOT BE REPRODUCED IN WHOLE OR PART WITHOUT PERMISSION OF SEEDORFF ACME CORP.

SEEDORFF	
RESISTANCE WELDING EQUIPMENT ANAHEIM, CA SEEDORFFACME.COM	
DOUBLE ENDED H. P. ELECTRODES	
PART NO.	SEE TABLE
DWG. NO.	R00023

2

1

B

B

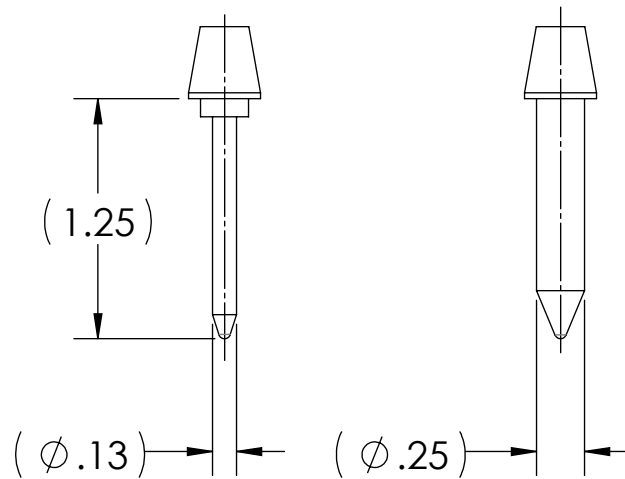
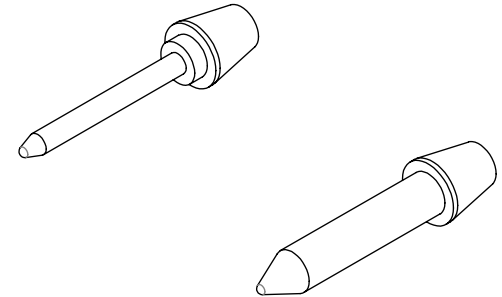
A

A

2

1

PART NUMBER	DESCRIPTION	LEGACY P/N
102759-001	Ø.125 STRAIGHT HP ELECTRODE - CL.2	2112-.125-1.25
102760-001	Ø.125 STRAIGHT HP ELECTRODE - CL.3	N/A
102761-001	Ø.250 STRAIGHT HP ELECTRODE - CL.2	2112-.250-1.25
102762-001	Ø.250 STRAIGHT HP ELECTRODE - CL.3	N/A



ELECTRODE DESCRIPTION
 STRAIGHT HAND PIECE COPPER ELECTRODES.
 CUSTOM DIAMETER AND LENGTH ARE AVAILABLE.

ALL INFORMATION CONTAINED IN
 THIS DOCUMENT IS PROPERTY OF
 SEEDORFF ACME CORP. AND MAY
 NOT BE REPRODUCED IN WHOLE
 OR PART WITHOUT PERMISSION
 OF SEEDORFF ACME CORP.

SEEDORFF

RESISTANCE WELDING EQUIPMENT
 ANAHEIM, CA
 SEEDORFFACME.COM

STRAIGHT H. P. ELECTRODES

PART NO.	SEE TABLE
DWG. NO.	R00024

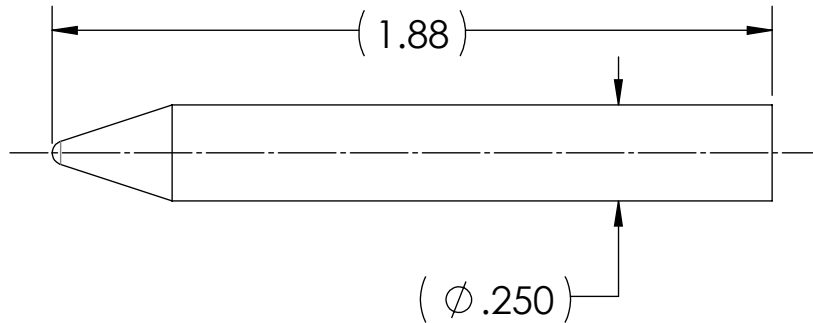
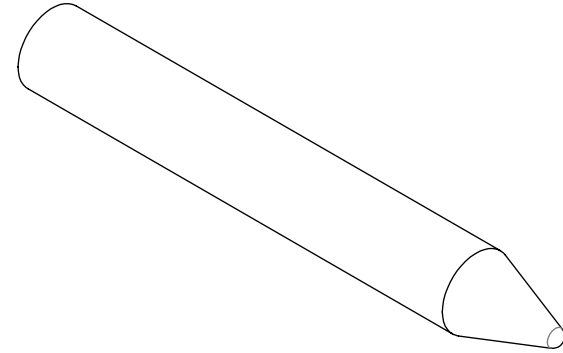
2

1

2

1

PART NUMBER	DESCRIPTION	LEGACY P/N
101729-001	Ø.250 ELECTRODE - CL.2	2165
102768-001	Ø.250 ELECTRODE - CL.3	N/A



ELECTRODE DESCRIPTION
 Ø.250 HAND PIECE COPPER ELECTRODES.
 CUSTOM DIAMETER AND LENGTH ARE AVAILABLE.

B

B

A

A

2

1

ALL INFORMATION CONTAINED IN THIS DOCUMENT IS PROPERTY OF SEEDORFF ACME CORP. AND MAY NOT BE REPRODUCED IN WHOLE OR PART WITHOUT PERMISSION OF SEEDORFF ACME CORP.

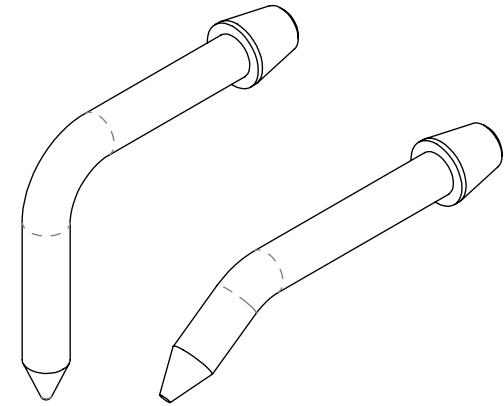
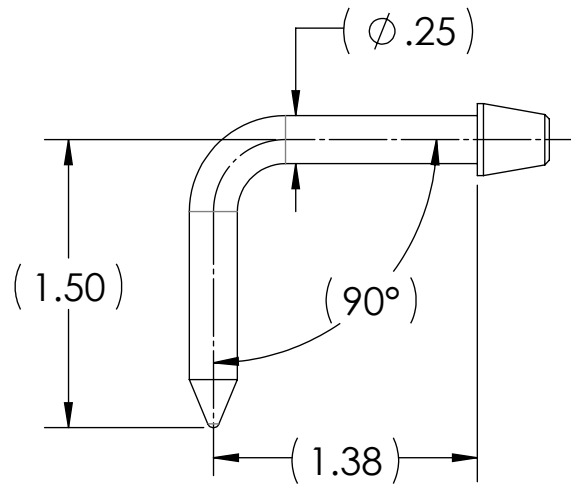
SEEDORFF	
RESISTANCE WELDING EQUIPMENT ANAHEIM, CA SEEDORFFACME.COM	
H. P. ELECTRODE	
PART NO.	SEE TABLE
DWG. NO.	R00025

2

1

PART NUMBER	DESCRIPTION	LEGACY P/N
102765-001	90° ANGLE H.P. ELECTRODE -CL.2	2268-.250-1.37-90°
102763-001	90° ANGLE H.P. ELECTRODE -CL.3	N/A
102766-001	35° ANGLE H.P. ELECTRODE - CL.2	2268-.250-2.00-35°
102764-001	35° ANGLE H.P. ELECTRODE - CL.3	N/A

B

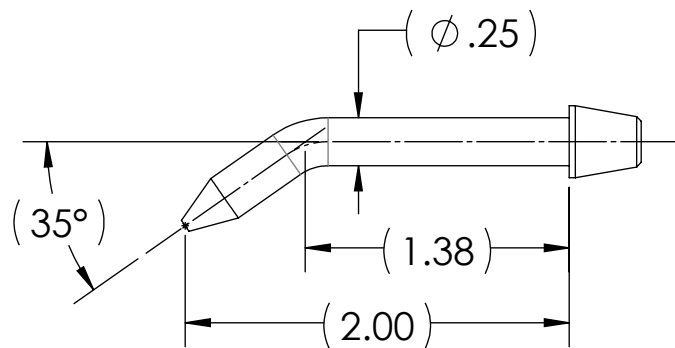


B

ELECTRODE DESCRIPTION

Ø.250 ANGLED HAND PIECE COPPER ELECTRODES.
CUSTOM DIAMETER AND LENGTH ARE AVAILABLE.

A



A

SEEDORFF

RESISTANCE WELDING EQUIPMENT
ANAHEIM, CA
SEEDORFFACME.COM

ANGLED H. P. ELECTRODE

PART NO. SEE TABLE

DWG. NO. R00026

ALL INFORMATION CONTAINED IN
THIS DOCUMENT IS PROPERTY OF
SEEDORFF ACME CORP. AND MAY
NOT BE REPRODUCED IN WHOLE
OR PART WITHOUT PERMISSION
OF SEEDORFF ACME CORP.

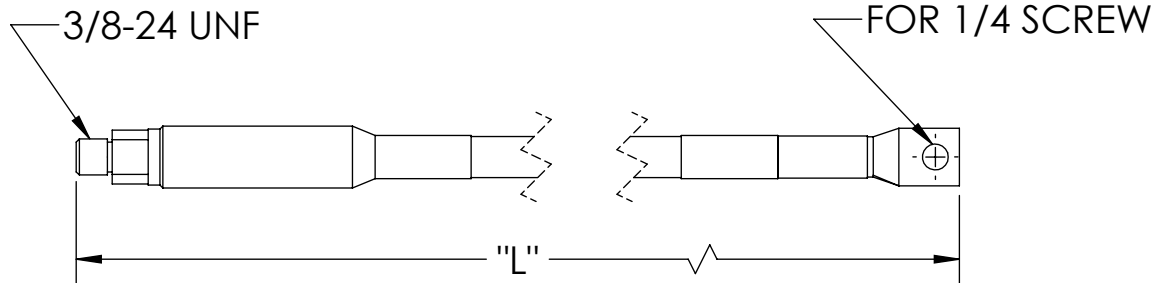
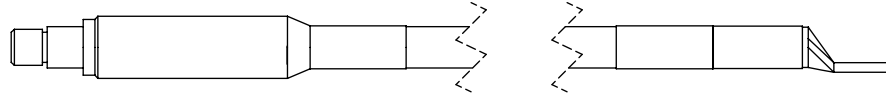
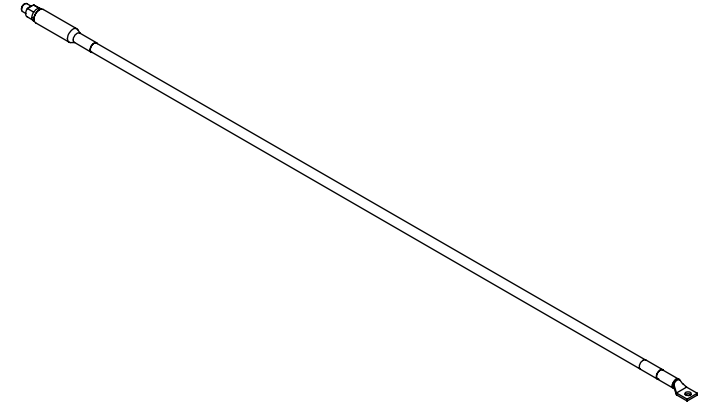
2

1

2

1

PART NUMBER	DESCRIPTION	"L"	LEGACY P/N	WEIGHT
102743-001	#2 AIR COOLED WELDING CABLE ASS'Y - 1.00 m	1.00	1928-1-AC	1.17 LBS.
102743-003	#2 AIR COOLED WELDING CABLE ASS'Y - 2.00 m	2.00	1928-2-AC	2.23 LBS.
102743-005	#2 AIR COOLED WELDING CABLE ASS'Y - 3.00 m	3.00	1928-3-AC	3.29 LBS.



B

B

A

A

GENERAL NOTES:

1. "L" DIMENSION IS GIVEN IN METRIC UNIT "m"
2. CUSTOM LENGTH IS AVAILABLE

ALL INFORMATION CONTAINED IN THIS DOCUMENT IS PROPERTY OF SEEDORFF ACME CORP. AND MAY NOT BE REPRODUCED IN WHOLE OR PART WITHOUT PERMISSION OF SEEDORFF ACME CORP.

SEEDORFF

RESISTANCE WELDING EQUIPMENT
ANAHEIM, CA
SEEDORFFACME.COM

#2 AIR COOLED WELDING CABLE ASS'Y

PART NO.	SEE TABLE
DWG. NO.	R00030

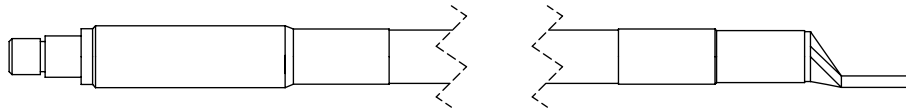
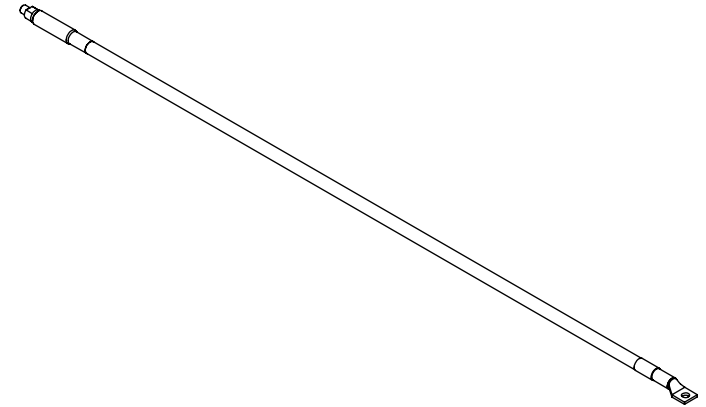
2

1

2

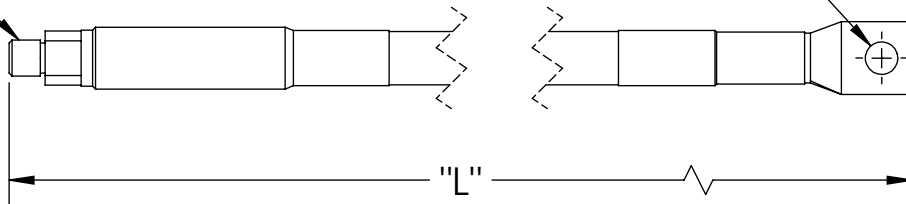
1

PART NUMBER	DESCRIPTION	"L"	LEGACY P/N	WEIGHT
102748-001	1/0 AIR COOLED WELDING CABLE ASS'Y - 1.00 m	1.00	1928-HD-1-AC	1.84 LBS.
102748-003	1/0 AIR COOLED WELDING CABLE ASS'Y - 2.00 m	2.00	1928-HD-2-AC	3.58 LBS.
102748-005	1/0 AIR COOLED WELDING CABLE ASS'Y - 3.00 m	3.00	1928-HD-3-AC	5.33 LBS.



3/8-24 UNF

FOR 5/16 SCREW



B

B

A

A

GENERAL NOTES:

1. "L" DIMENSION IS GIVEN IN METRIC UNIT "m"
2. CUSTOM LENGTH IS AVAILABLE

ALL INFORMATION CONTAINED IN THIS DOCUMENT IS PROPERTY OF SEEDORFF ACME CORP. AND MAY NOT BE REPRODUCED IN WHOLE OR PART WITHOUT PERMISSION OF SEEDORFF ACME CORP.

SEEDORFF

RESISTANCE WELDING EQUIPMENT
ANAHEIM, CA
SEEDORFFACME.COM

1/0 AIR COOLED WELDING CABLE ASS'Y

PART NO. SEE TABLE

DWG. NO. R00031

2

1

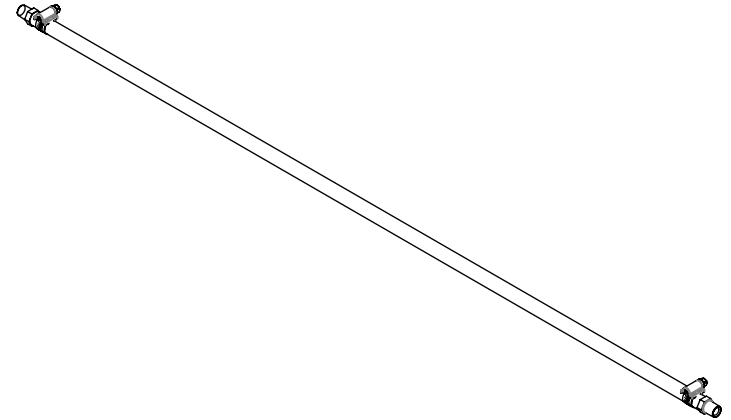
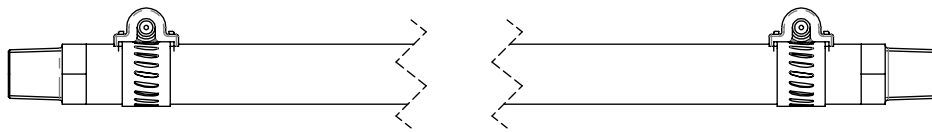
2

1

PART NUMBER	DESCRIPTION	"L"	LEGACY P/N	WEIGHT
102752-001	#4 WATER COOLED WELDING CALBE ASS'Y - 1.00 m	1.00	1933LD-A-1-WC	0.98 LBS.
102752-003	#4 WATER COOLED WELDING CALBE ASS'Y - 2.00 m	2.00	1933LD-A-2-WC	1.82 LBS.
102752-005	#4 WATER COOLED WELDING CALBE ASS'Y - 3.00 m	3.00	1933LD-A-3-WC	2.66 LBS.

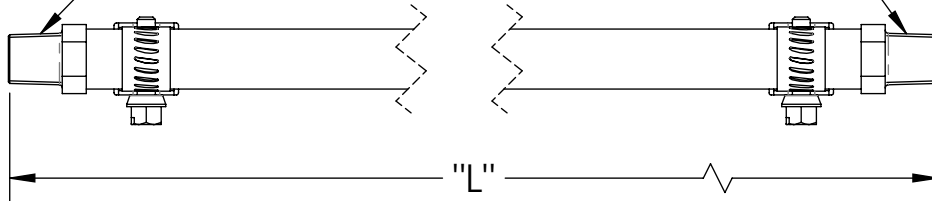
B

B



1/4 NPT

1/4 NPT



A

A

GENERAL NOTES:

1. "L" DIMENSION IS GIVEN IN METRIC UNIT "m"
2. CUSTOM LENGTH IS AVAILABLE

ALL INFORMATION CONTAINED IN THIS DOCUMENT IS PROPERTY OF SEEDORFF ACME CORP. AND MAY NOT BE REPRODUCED IN WHOLE OR PART WITHOUT PERMISSION OF SEEDORFF ACME CORP.

SEEDORFF

RESISTANCE WELDING EQUIPMENT
ANAHEIM, CA
SEEDORFFACME.COM

#4 WATER COOLED WELDING CABLE ASS'Y

PART NO.	SEE TABLE
DWG. NO.	R00032

2

1

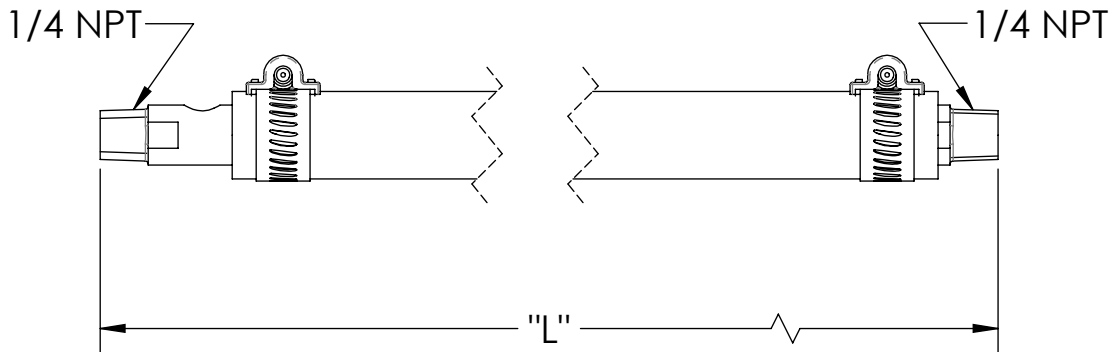
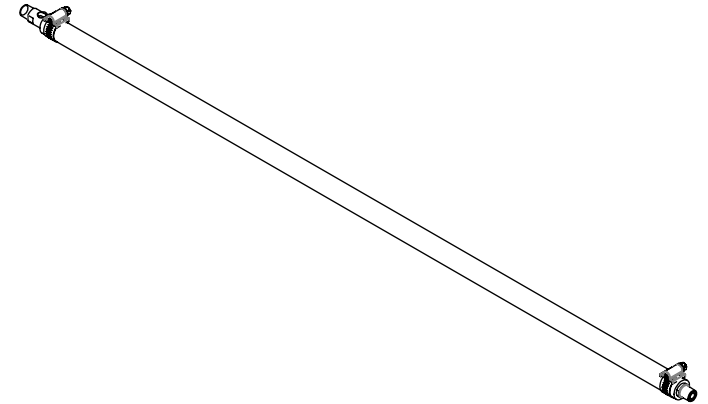
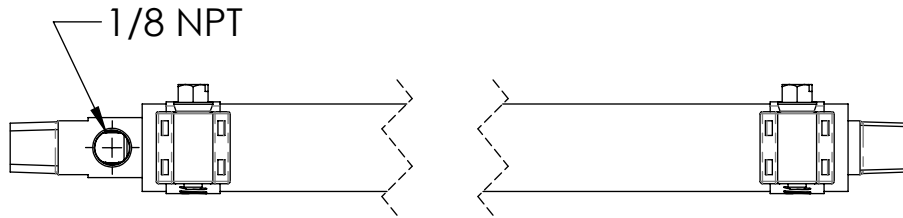
2

1

PART NUMBER	DESCRIPTION	"L"	LEGACY P/N	WEIGHT
102754-001	2/0 WATER COOLED WELDING CALBE ASS'Y - 1.00 m	1.00	1933HD-A-1-WC	2.45 LBS.
102754-003	2/0 WATER COOLED WELDING CALBE ASS'Y - 2.00 m	2.00	1933HD-A-2-WC	*4.82 LBS.
102754-005	2/0 WATER COOLED WELDING CALBE ASS'Y - 3.00 m	3.00	1933HD-A-3-WC	7.18 LBS.

B

B



A

A

GENERAL NOTES:

1. "L" DIMENSION IS GIVEN IN METRIC UNIT "m"
2. CUSTOM LENGTH IS AVAILABLE

ALL INFORMATION CONTAINED IN THIS DOCUMENT IS PROPERTY OF SEEDORFF ACME CORP. AND MAY NOT BE REPRODUCED IN WHOLE OR PART WITHOUT PERMISSION OF SEEDORFF ACME CORP.

SEEDORFF

RESISTANCE WELDING EQUIPMENT
ANAHEIM, CA
SEEDORFFACME.COM

2/0 WATER COOLED WELDING CABLE ASS'Y

PART NO.	SEE TABLE
DWG. NO.	R00033

2

1

MODEL OPTIONS:

VOLTAGE

- 220VAC Ø1
- 440VAC Ø1

TRANSFORMER

- 5 KVA
- 8 KVA

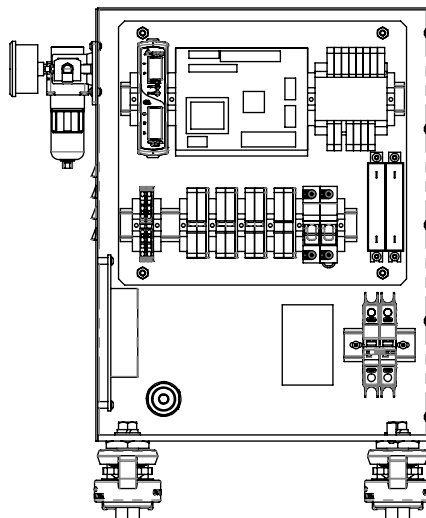
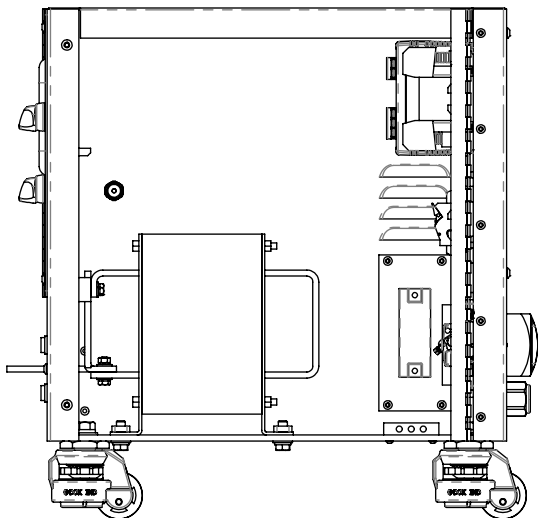
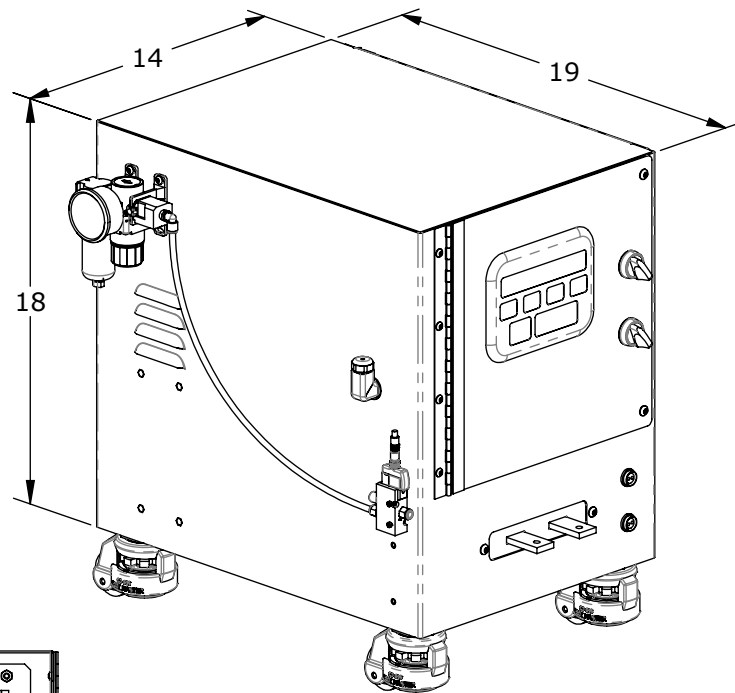
HAND PIECES

- POKE
- PINCH
- PINCH - POKE

FRAME

- SWIVEL-LEVELING FEET
- STATIONARY FEET

WATER MANIFOLD



SEEDORFF

RESISTANCE WELDING EQUIPMENT
ANAHEIM, CA
SEEDORFFACME.COM

PORTABLE POWER SUPPLIES

PART NO.	VARIES
DWG. NO.	R00013

ALL INFORMATION CONTAINED IN THIS DOCUMENT IS PROPERTY OF SEEDORFF ACME CORP. AND MAY NOT BE REPRODUCED IN WHOLE OR PART WITHOUT PERMISSION OF SEEDORFF ACME CORP.



SHOP ONLINE

RWElectrodes.com

Seedorff ACME Corporation

1338 N Knollwood Cir,
Anaheim, CA 92801

(714) 252-5330
sales@seedorffacme.com

seedorffacme.com