

4

3

2

1

S1 - SMALL
CYLINDERS:
50, 63 & 80MM BORE X 100MM STROKE
TRANSFORMERS:
22 & 35 KVA AC, 40KVA DC
OPTIONS:
DISPLACEMENT
FORCE
RETRACTION

S2 - MEDIUM
CYLINDERS:
63, 80 & 100MM BORE X 100MM STROKE
TRANSFORMERS:
35 & 42 KVA AC, 72 & 100KVA DC
OPTIONS:
DISPLACEMENT
FORCE
RETRACTION

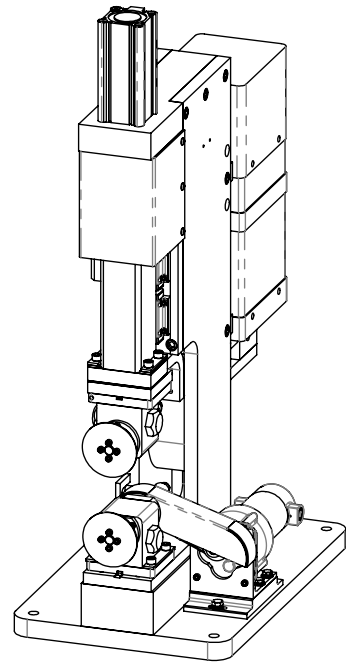
S3 - LARGE
CYLINDERS:
80, 100 & 125MM BORE X 100MM STROKE
TRANSFORMERS:
42KVA AC, 72 & 100KVA DC
OPTIONS:
DISPLACEMENT
FORCE
RETRACTION

S4 - XLARGE
CYLINDERS:
125, 140 & 160MM BORE X 100MM STROKE
TRANSFORMERS:
93, 136KVA AC, 100, 160 & 170KVA DC
OPTIONS:
DISPLACEMENT
FORCE
RETRACTION

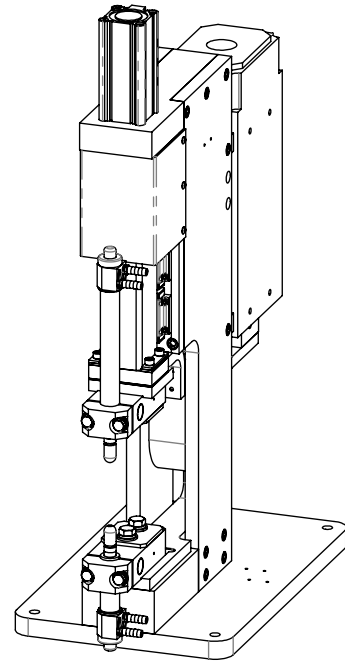
S4HD - XLARGE HEAVY DUTY
CYLINDERS:
160, 180 & 200MM BORE X 100MM STROKE
TRANSFORMERS:
93, 136KVA AC, 100, 160 & 170KVA DC, 250KVA FRT
OPTIONS:
DISPLACEMENT
FORCE
RETRACTION
FAST RISE TIME

B

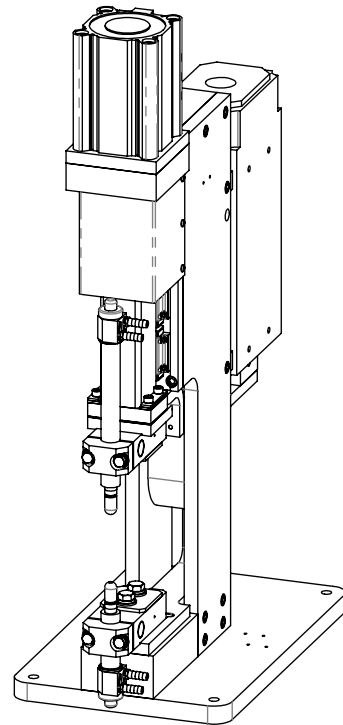
B



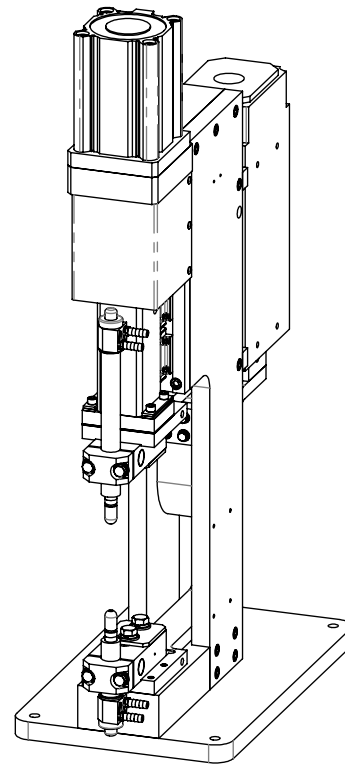
S1 - SMALL
SIZE 0 SEAM WELDER



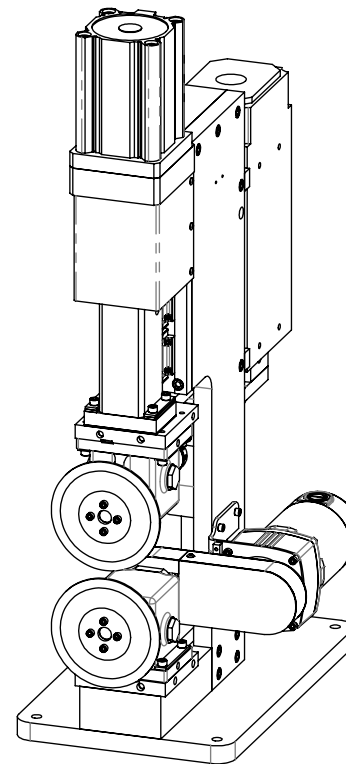
S1 - SMALL
HOLDER OR PLATTENS



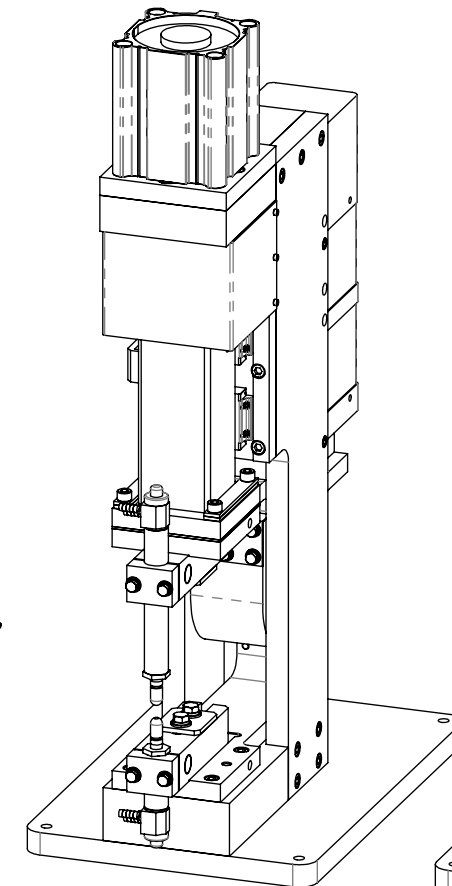
S2 - MEDIUM
HOLDER OR PLATTENS



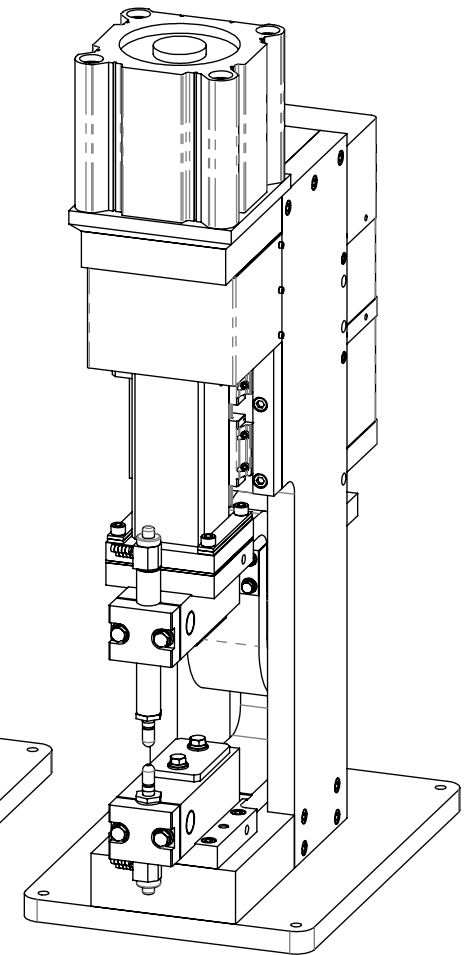
S3 - LARGE
HOLDER OR PLATTENS



S3 - LARGE
SIZE 1 SEAM WELDER



S4 - XLARGE
HOLDER OR PLATTENS



S4 - XLARGE HEAVY DUTY
HOLDER OR PLATTENS

A

A

SEEDORFF

RESISTANCE WELDING EQUIPMENT
ANAHEIM, CA
SEEDORFFACME.COM

BENCH PEDESTAL

PART NO. R00014

DWG. NO. R00014

ALL INFORMATION CONTAINED IN
THIS DOCUMENT IS PROPERTY OF
SEEDORFF ACME CORP. AND MAY
NOT BE REPRODUCED IN WHOLE
OR PART WITHOUT PERMISSION
OF SEEDORFF ACME CORP.

4

3

2

1

4

3

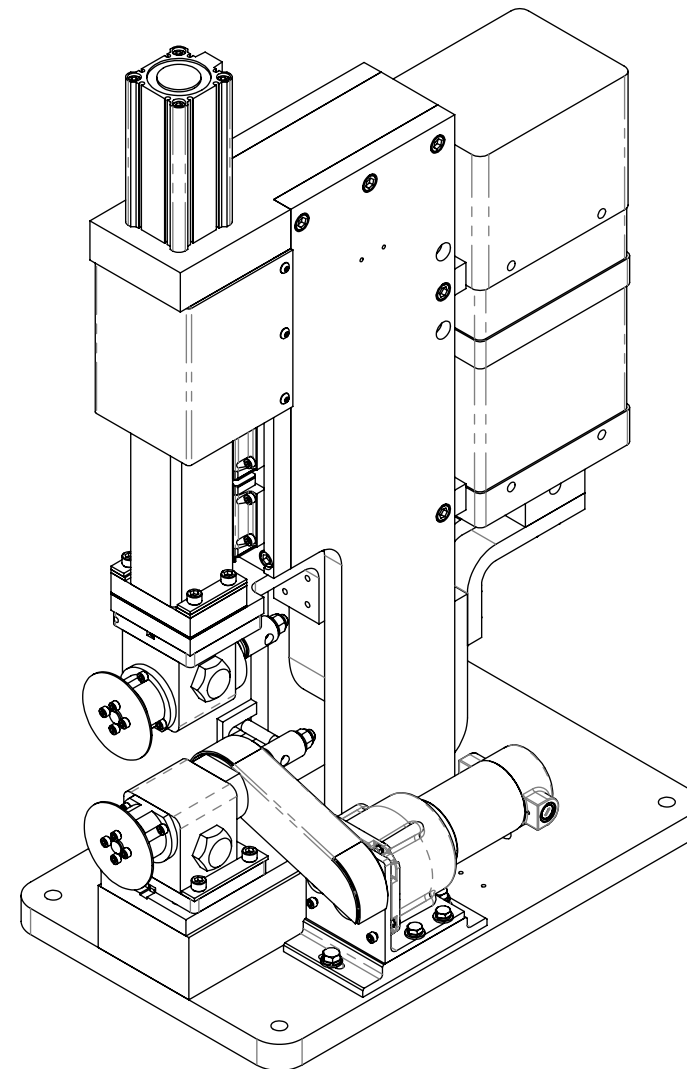
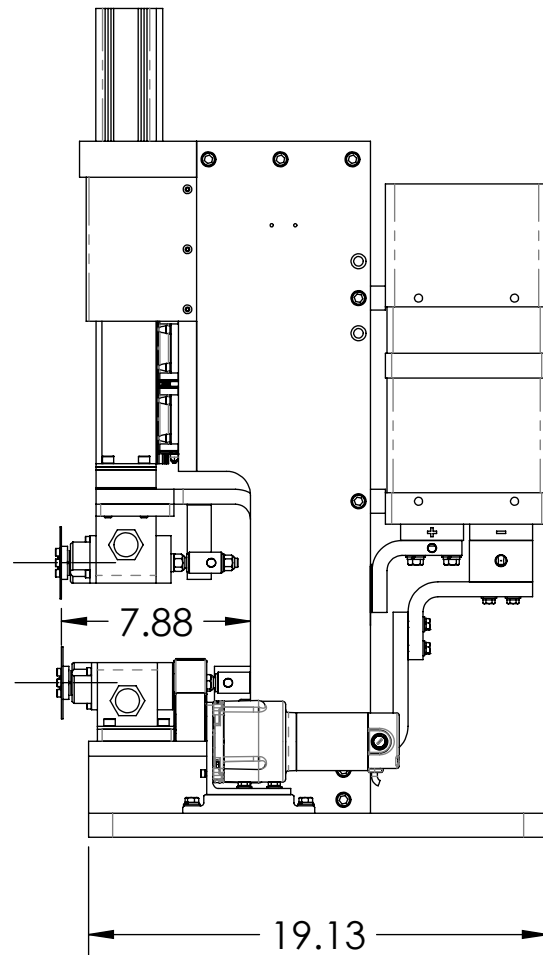
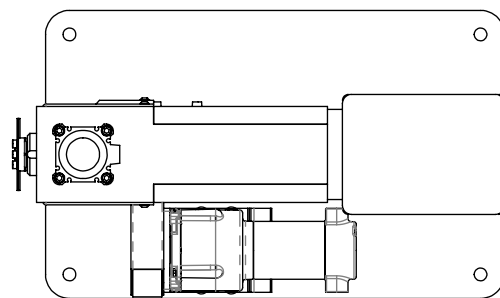
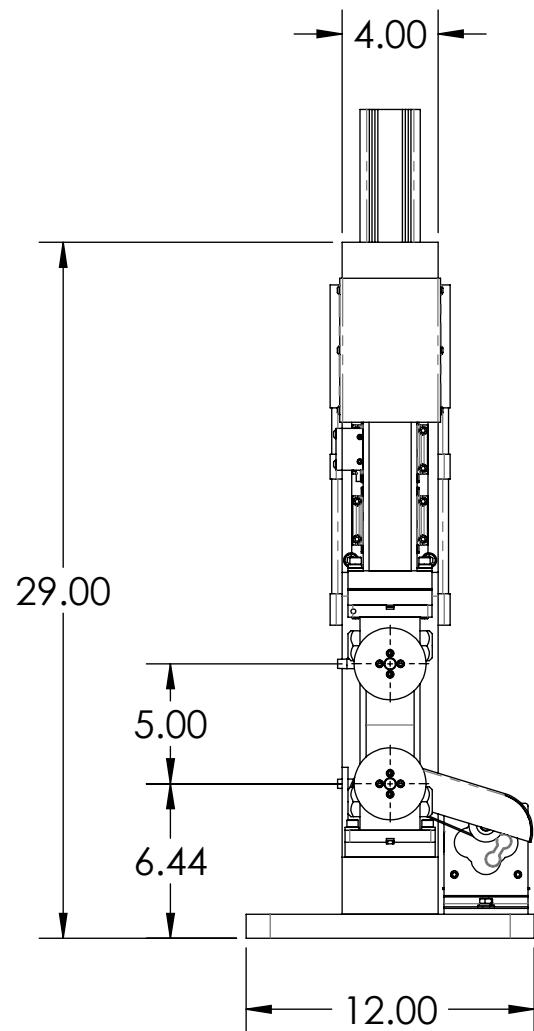
2

1

B

B

S1 - SMALL
SIZE 0 SEAM BENCH HEAD



A

A

4

3

2

1

ALL INFORMATION CONTAINED IN THIS DOCUMENT IS PROPERTY OF SEEDORFF ACME CORP. AND MAY NOT BE REPRODUCED IN WHOLE OR PART WITHOUT PERMISSION OF SEEDORFF ACME CORP.

SEEDORFF	
RESISTANCE WELDING EQUIPMENT ANAHEIM, CA SEEDORFFACME.COM	
BENCH PEDESTAL	
PART NO.	R00014
DWG. NO.	R00014

4

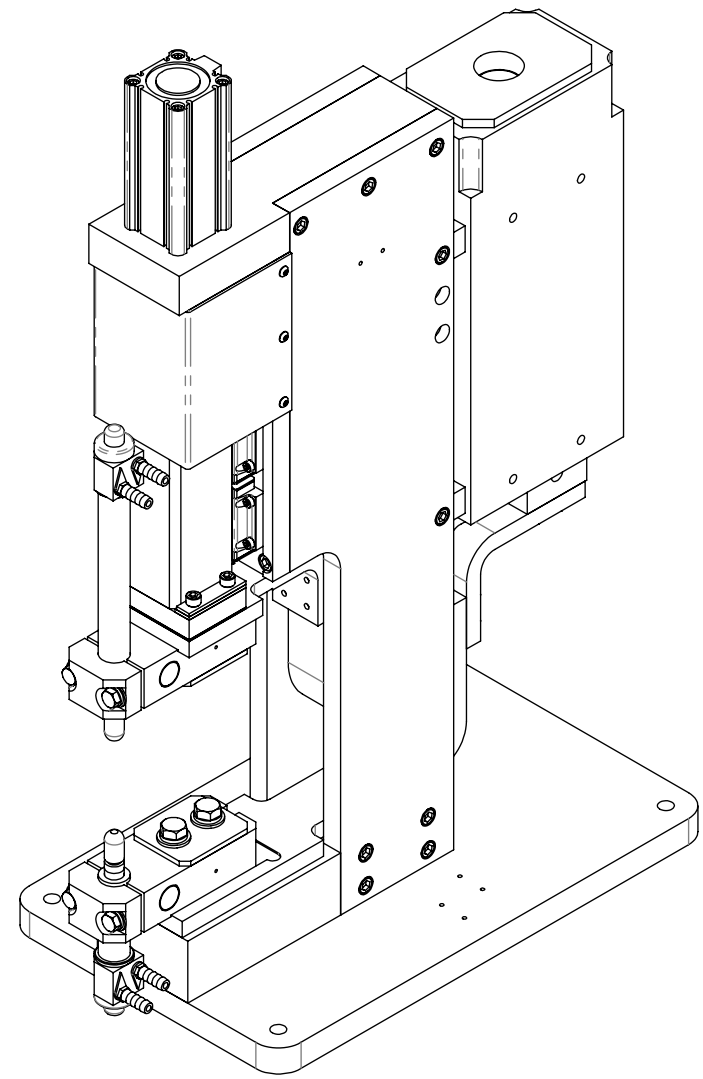
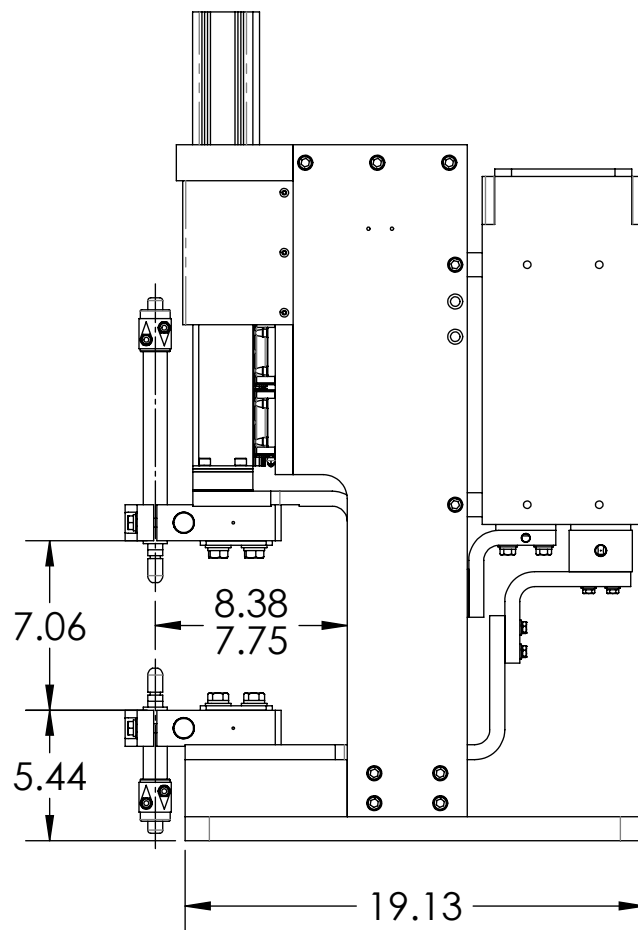
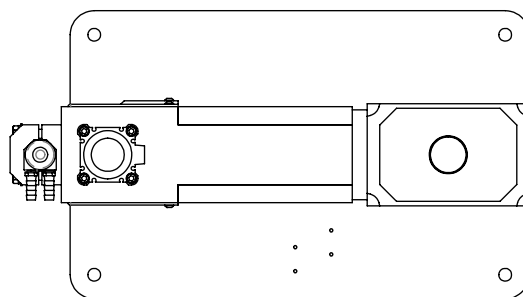
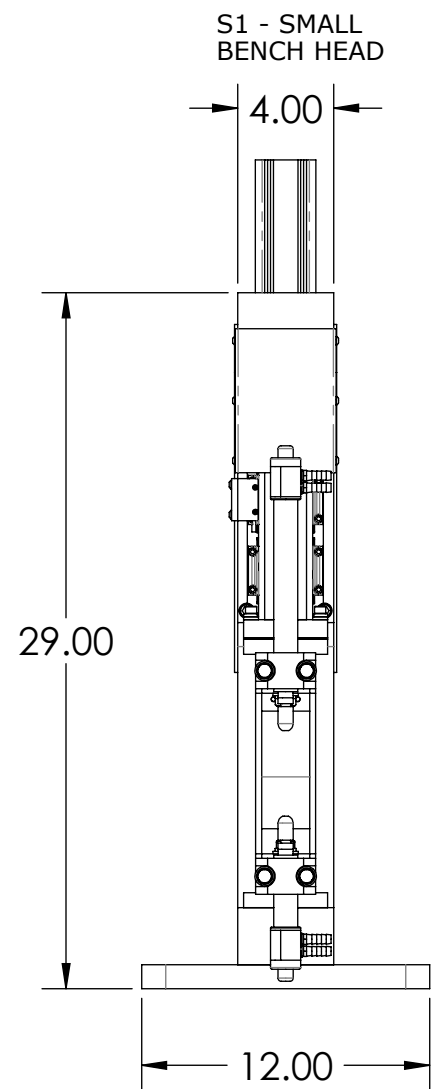
3

2

1

B

B



A

A

4

3

2

1

ALL INFORMATION CONTAINED IN THIS DOCUMENT IS PROPERTY OF SEEDORFF ACME CORP. AND MAY NOT BE REPRODUCED IN WHOLE OR PART WITHOUT PERMISSION OF SEEDORFF ACME CORP.

SEEDORFF	
RESISTANCE WELDING EQUIPMENT ANAHEIM, CA SEEDORFFACME.COM	
BENCH PEDESTAL	
PART NO.	R00014
DWG. NO.	R00014

4

3

2

1

B

B

A

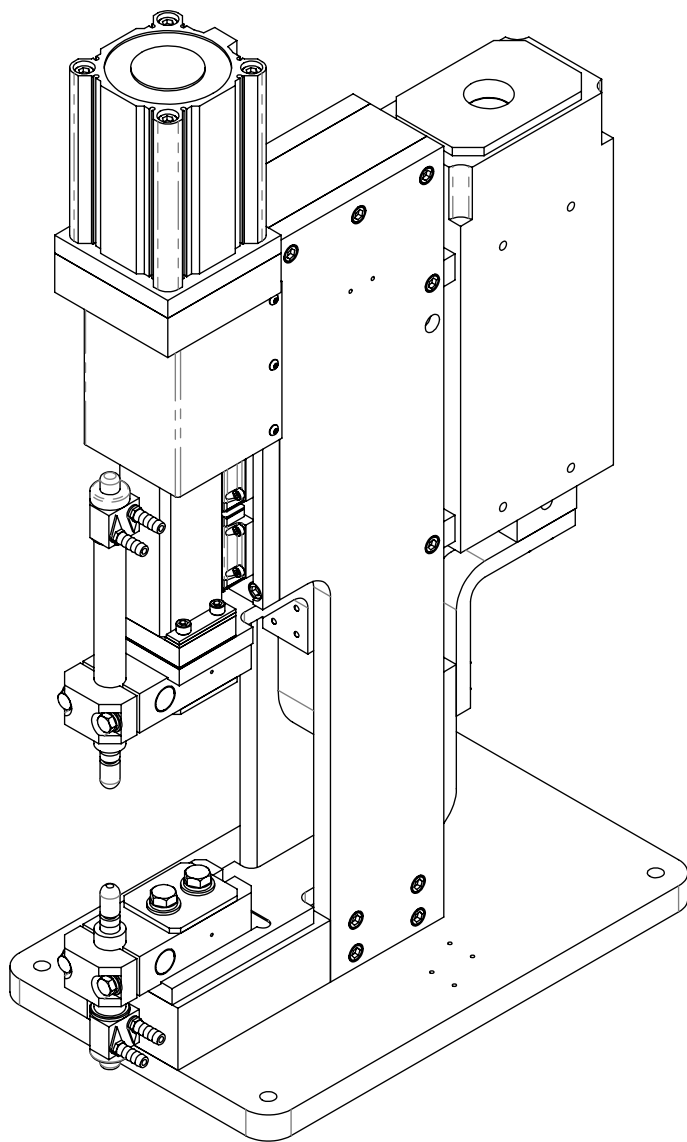
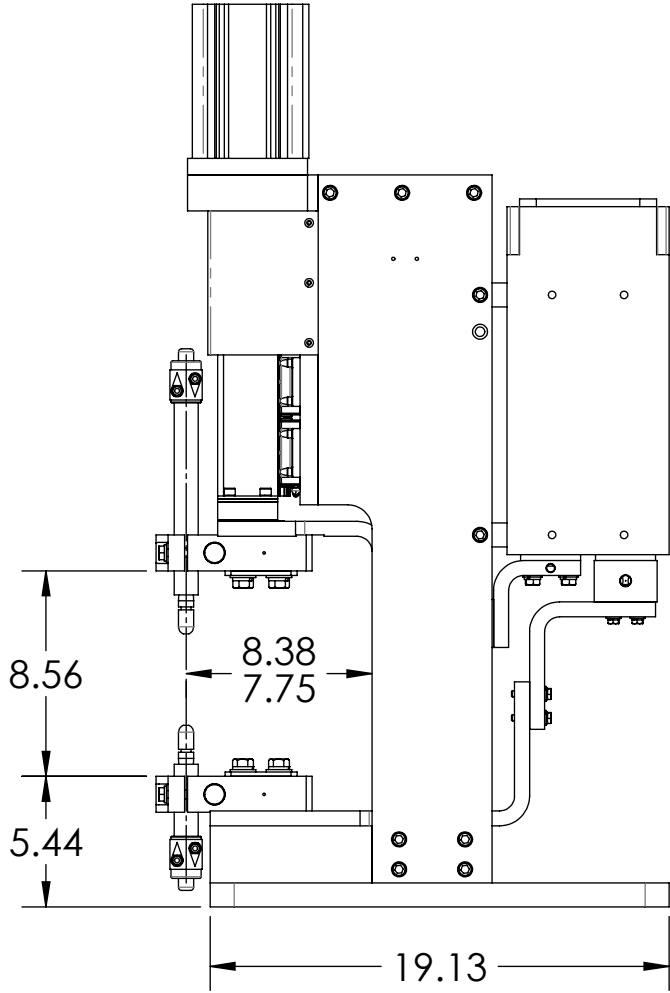
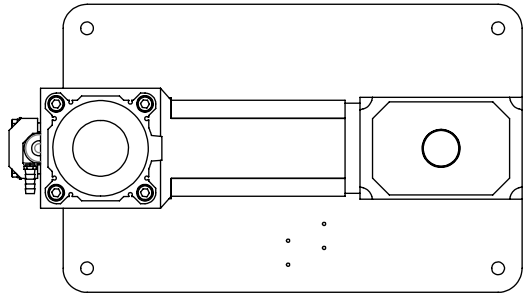
A

S2 - MEDIUM BENCH HEAD

5.00

30.50

12.00



ALL INFORMATION CONTAINED IN THIS DOCUMENT IS PROPERTY OF SEEDORFF ACME CORP. AND MAY NOT BE REPRODUCED IN WHOLE OR PART WITHOUT PERMISSION OF SEEDORFF ACME CORP.

SEEDORFF

RESISTANCE WELDING EQUIPMENT
ANAHEIM, CA
SEEDORFFACME.COM

BENCH PEDESTAL

PART NO.	R00014
----------	--------

DWG. NO.	R00014
----------	--------

4

3

2

1

4

3

2

1

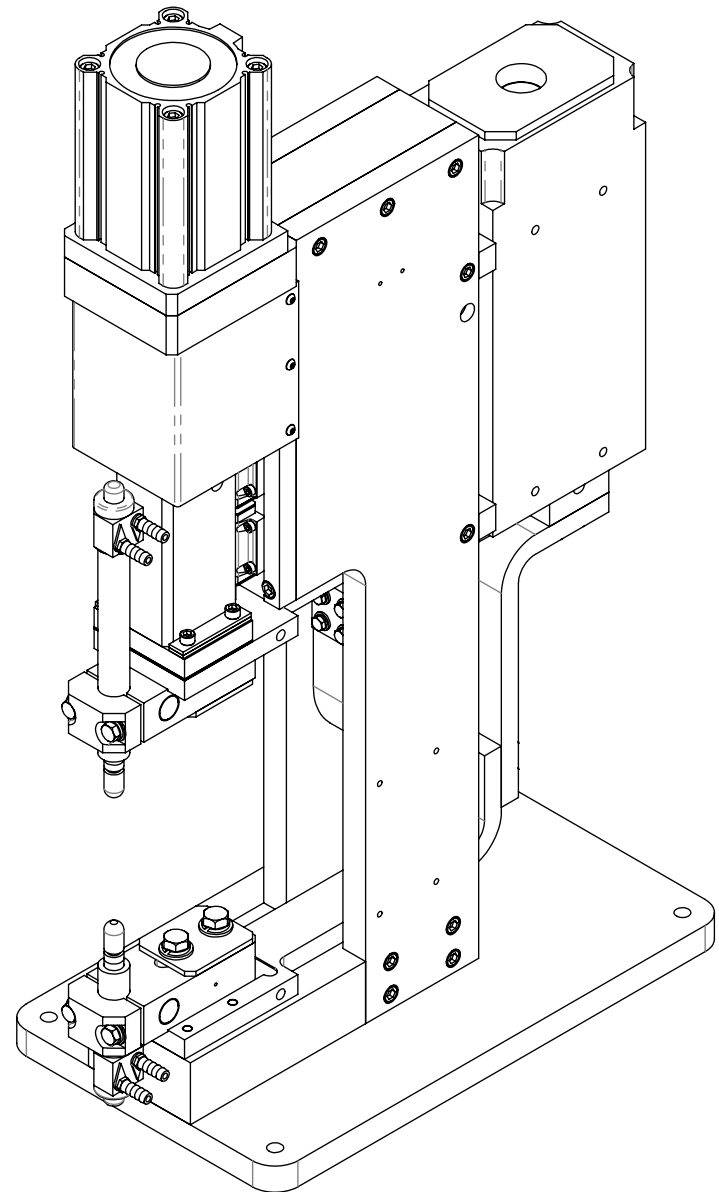
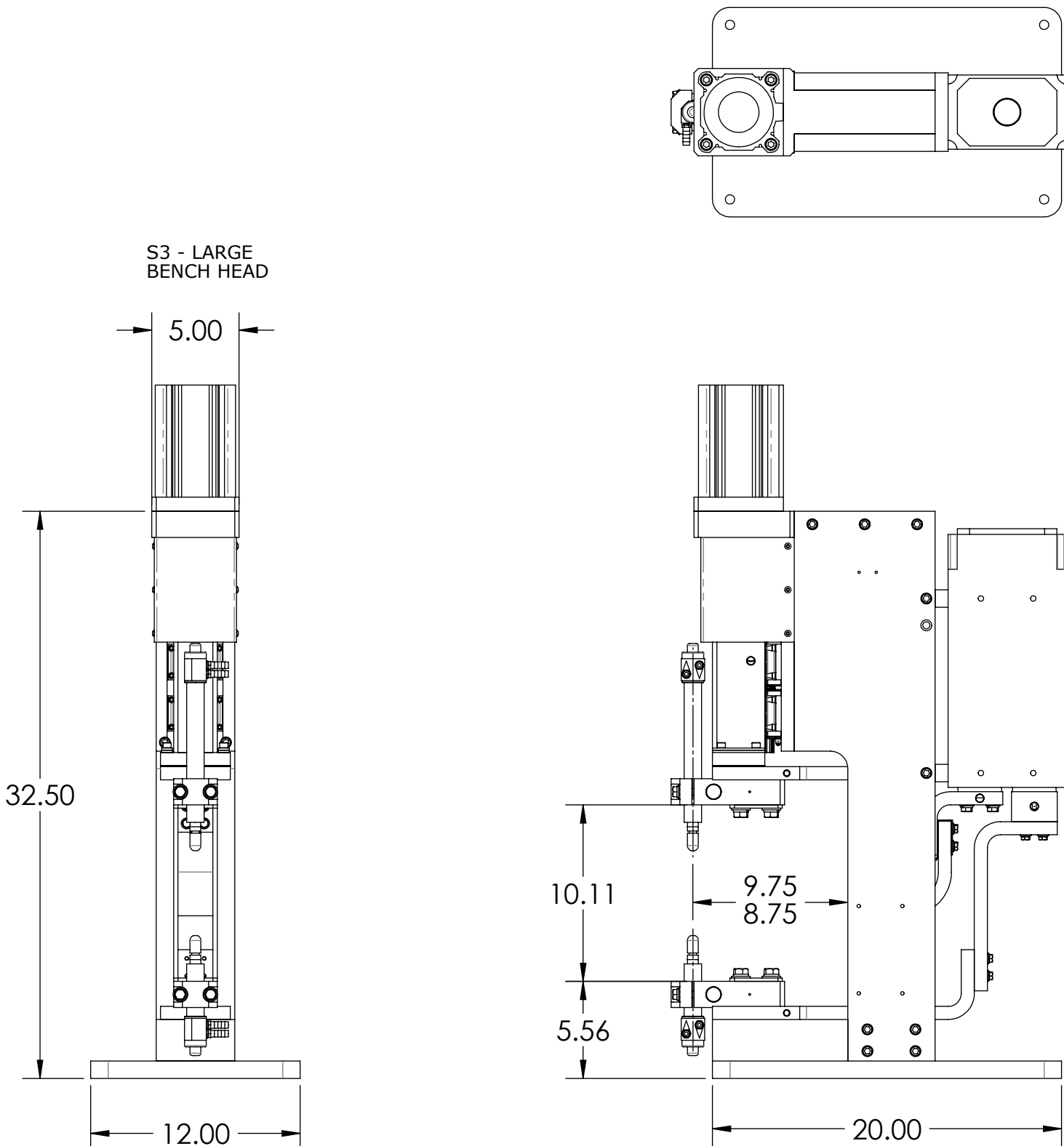
B

B

A

A

S3 - LARGE
BENCH HEAD



ALL INFORMATION CONTAINED IN THIS DOCUMENT IS PROPERTY OF SEEDORFF ACME CORP. AND MAY NOT BE REPRODUCED IN WHOLE OR PART WITHOUT PERMISSION OF SEEDORFF ACME CORP.

SEEDORFF	
RESISTANCE WELDING EQUIPMENT ANAHEIM, CA SEEDORFFACME.COM	
BENCH PEDESTAL	
PART NO.	R00014
DWG. NO.	R00014

4

3

2

1

4

3

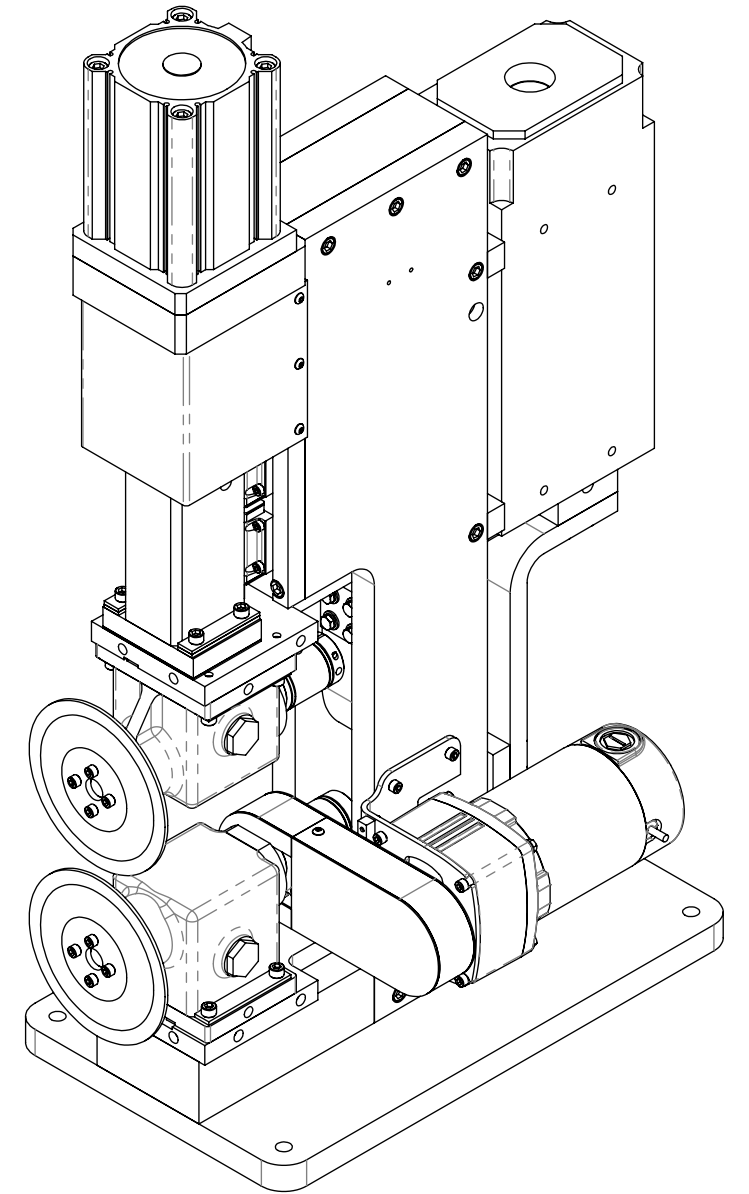
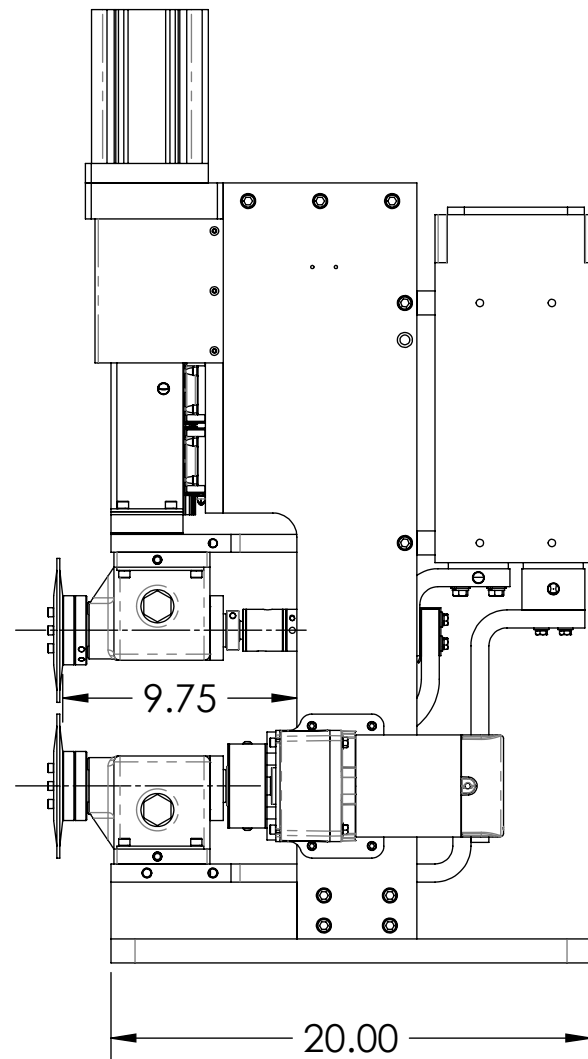
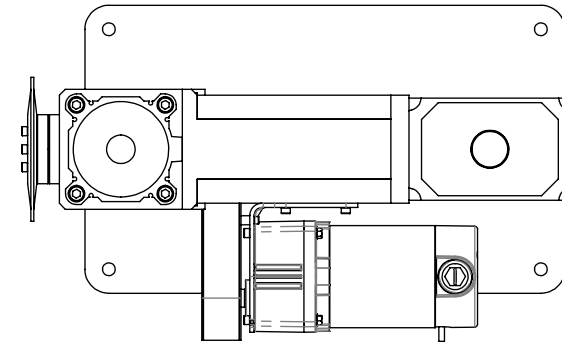
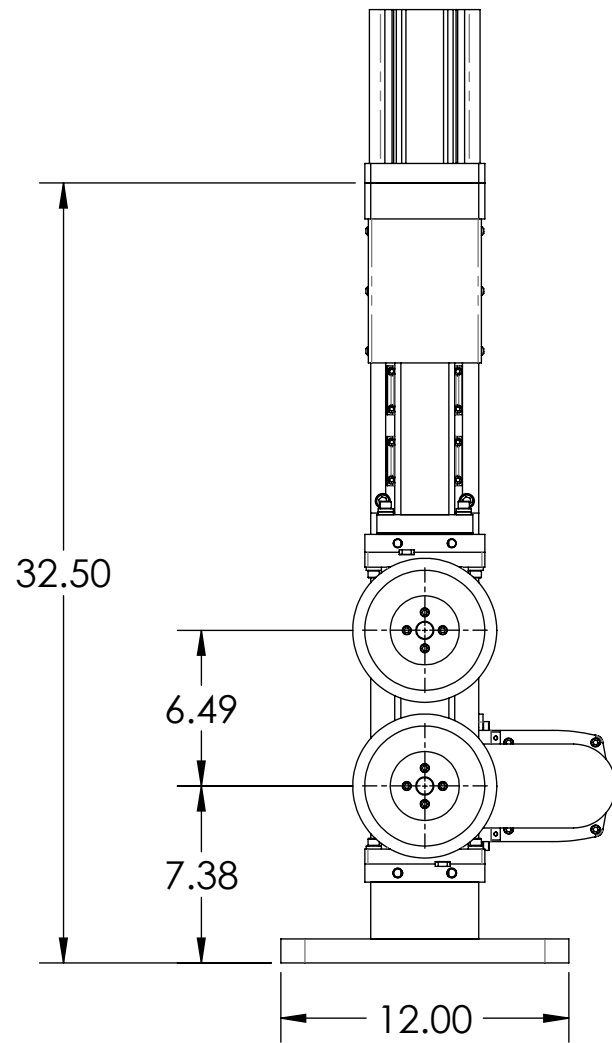
2

1

B

B

S3 - LARGE
SIZE 1 BENCH SEAM



A

A

4

3

2

1

ALL INFORMATION CONTAINED IN
THIS DOCUMENT IS PROPERTY OF
SEEDORFF ACME CORP. AND MAY
NOT BE REPRODUCED IN WHOLE
OR PART WITHOUT PERMISSION
OF SEEDORFF ACME CORP.

SEEDORFF

RESISTANCE WELDING EQUIPMENT
ANAHEIM, CA
SEEDORFFACME.COM

BENCH PEDESTAL

PART NO. R00014

DWG. NO. R00014

4

3

2

1

B

B

S4 - XLARGE
BENCH HEAD

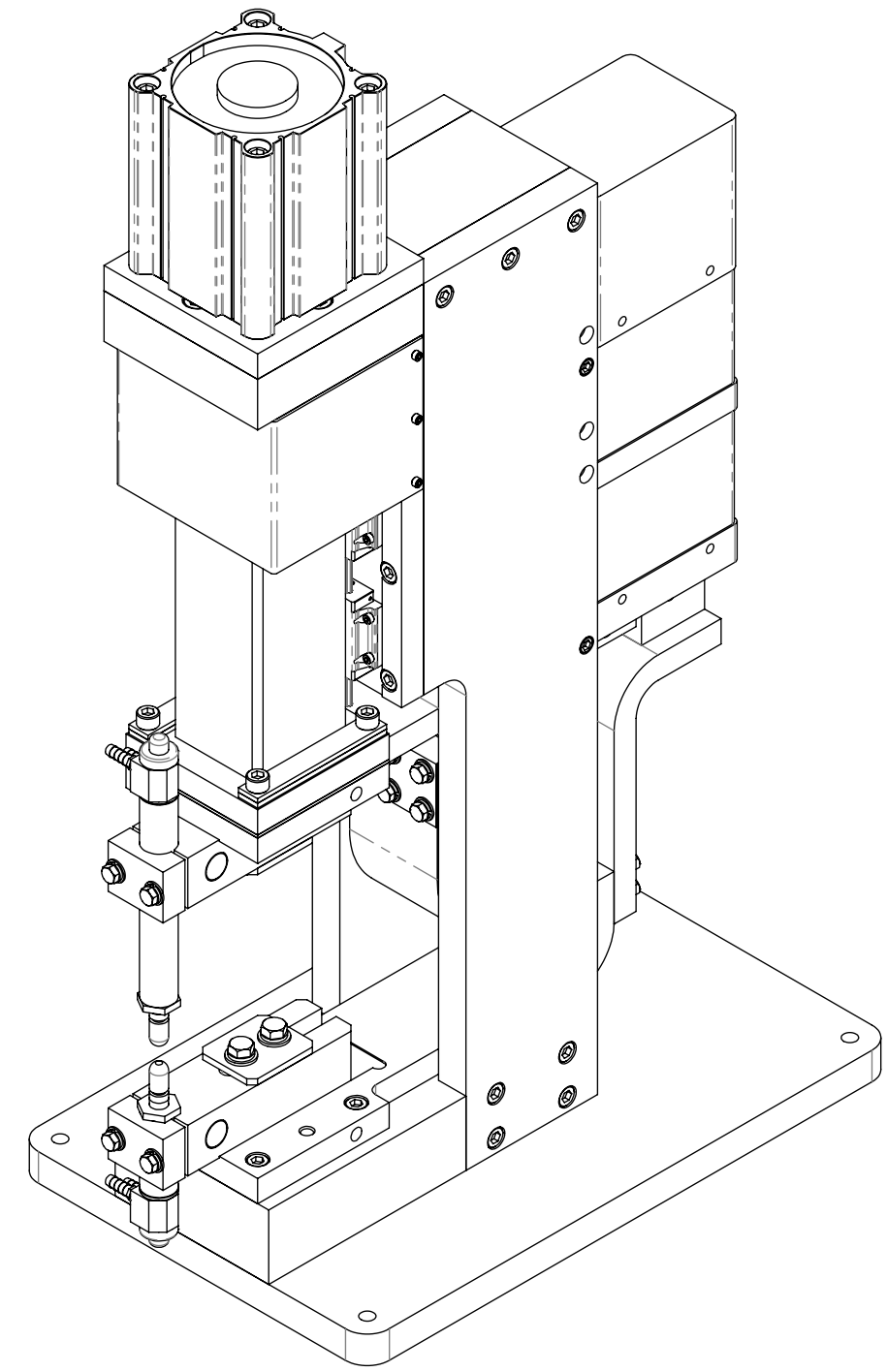
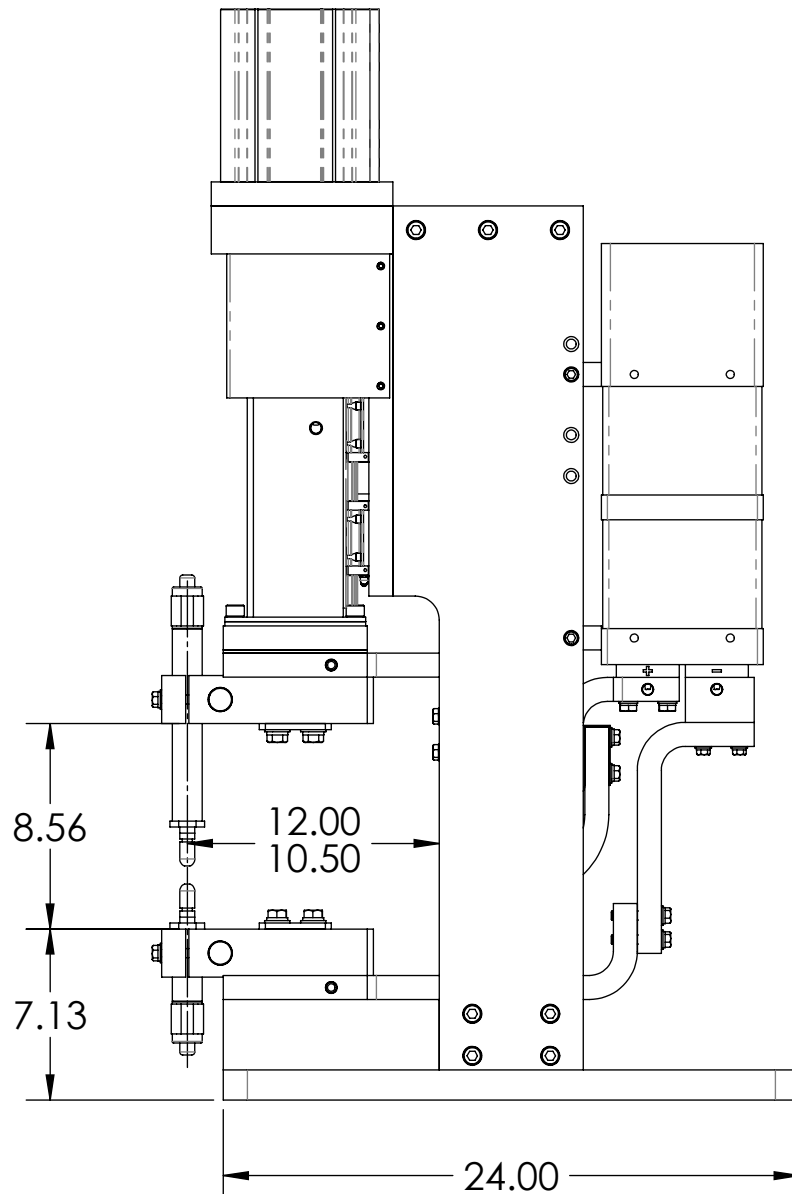
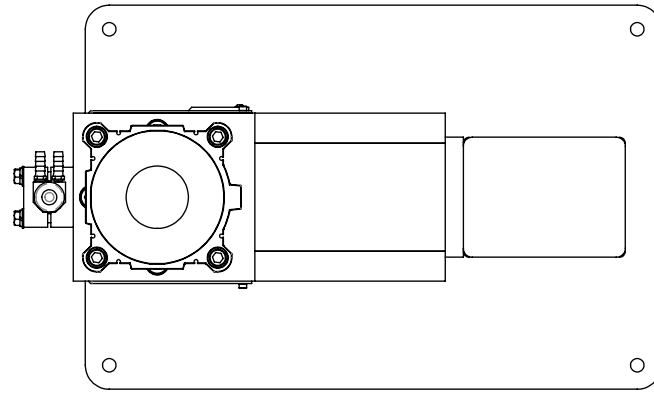
7.00

37.25

A

A

16.00



ALL INFORMATION CONTAINED IN THIS DOCUMENT IS PROPERTY OF SEEDORFF ACME CORP. AND MAY NOT BE REPRODUCED IN WHOLE OR PART WITHOUT PERMISSION OF SEEDORFF ACME CORP.

SEEDORFF	
RESISTANCE WELDING EQUIPMENT ANAHEIM, CA SEEDORFFACME.COM	
BENCH PEDESTAL	
PART NO.	R00014
DWG. NO.	R00014

4

3

2

1

4

3

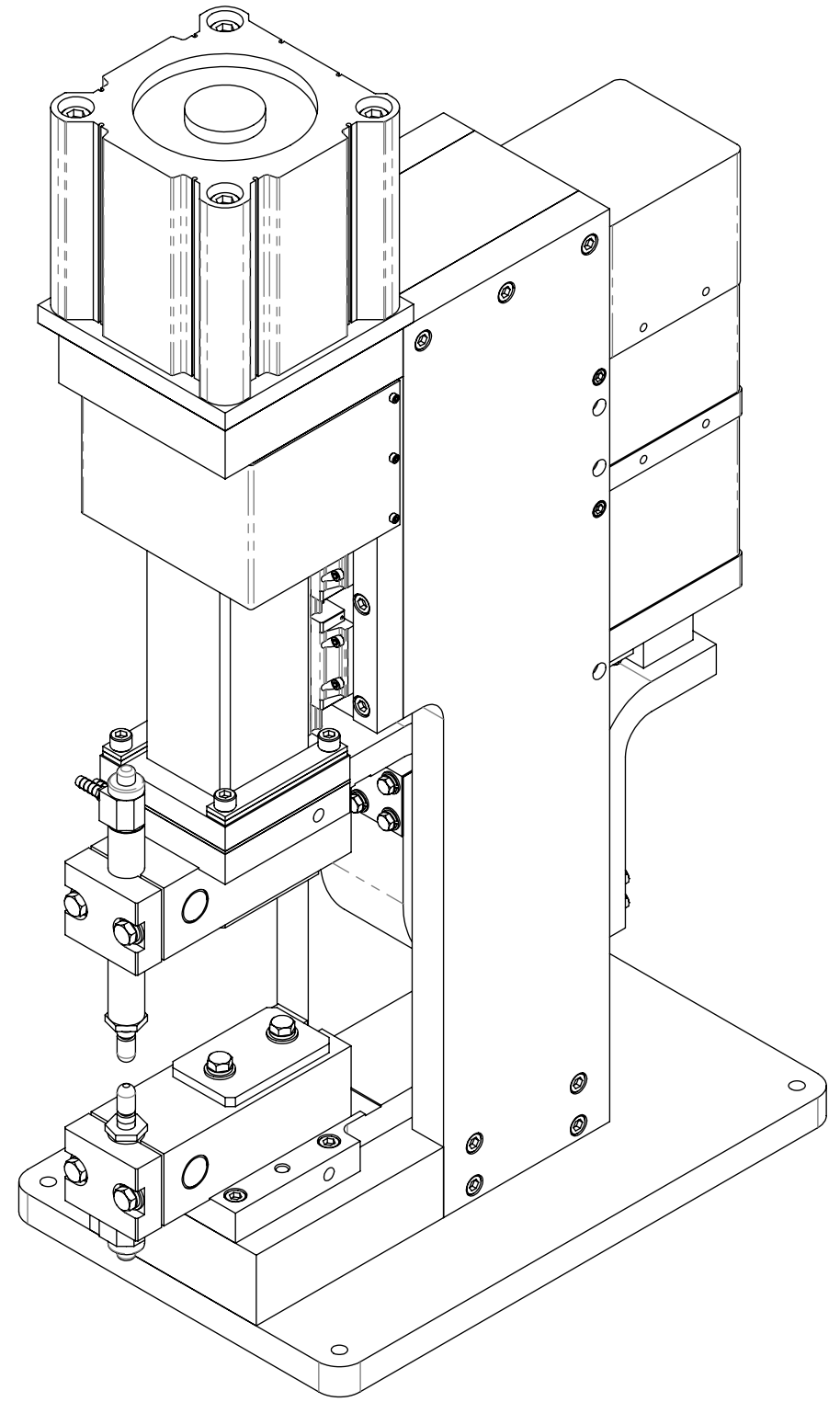
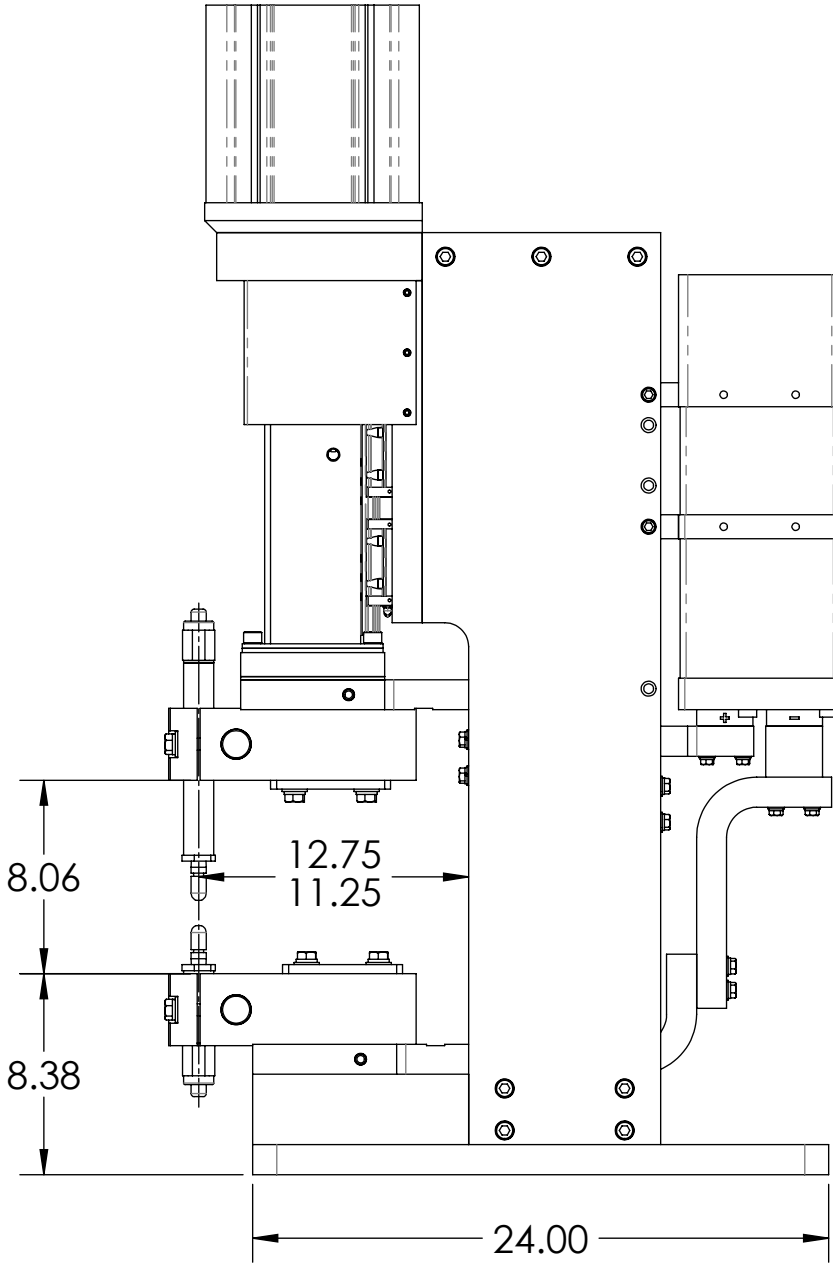
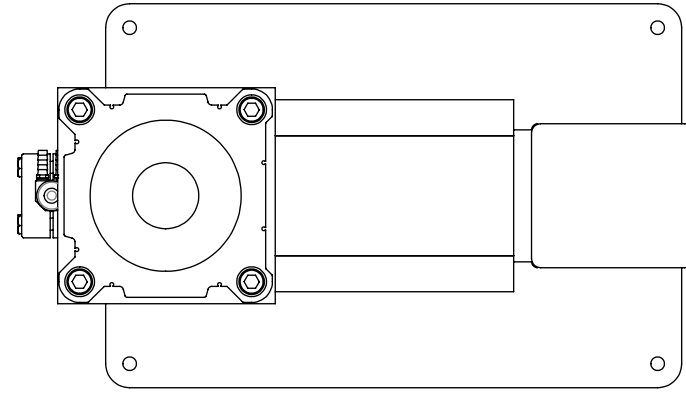
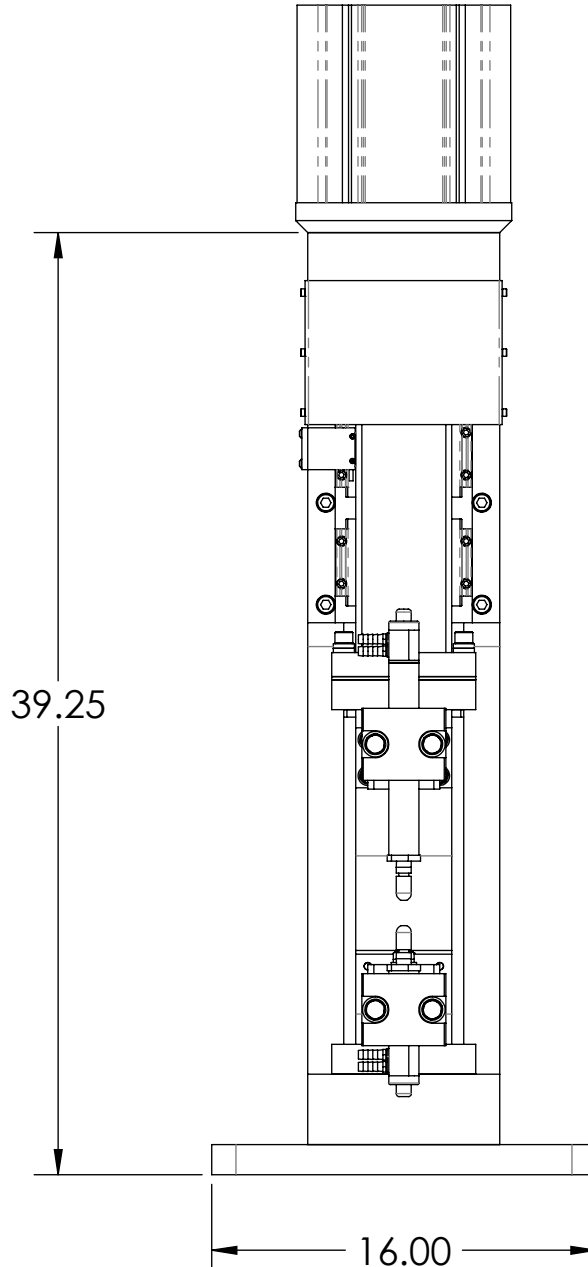
2

1

B

B

S4 - XLARGE HEAVY DUTY BENCH HEAD



A

A

ALL INFORMATION CONTAINED IN THIS DOCUMENT IS PROPERTY OF SEEDORFF ACME CORP. AND MAY NOT BE REPRODUCED IN WHOLE OR PART WITHOUT PERMISSION OF SEEDORFF ACME CORP.

SEEDORFF	
RESISTANCE WELDING EQUIPMENT ANAHEIM, CA SEEDORFFACME.COM	
BENCH PEDESTAL	
PART NO.	R00014
DWG. NO.	R00014

4

3

2

1