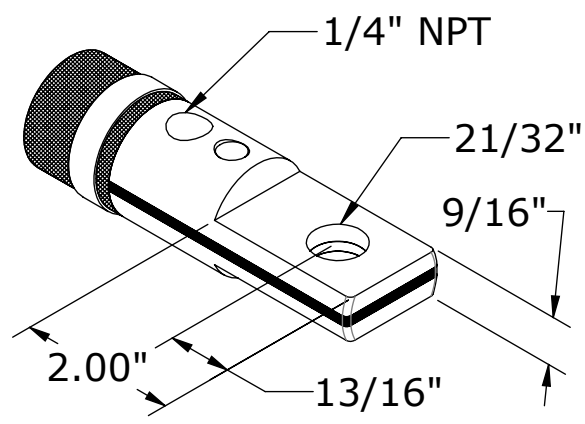
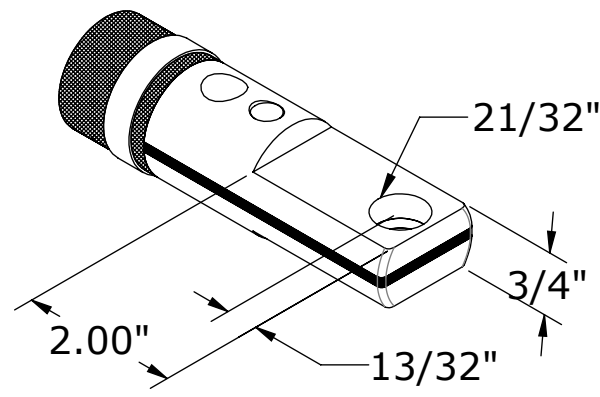


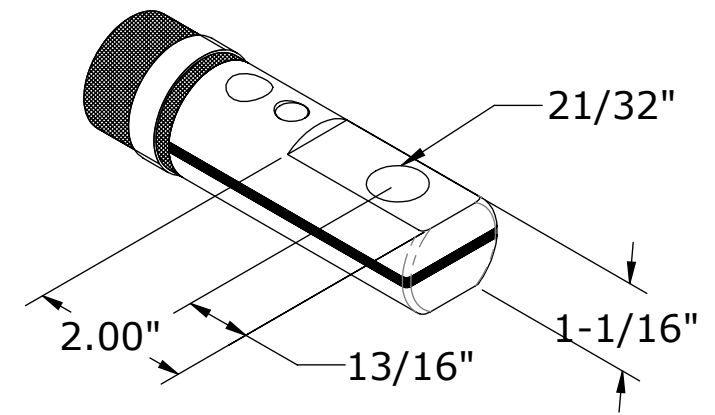
"A"



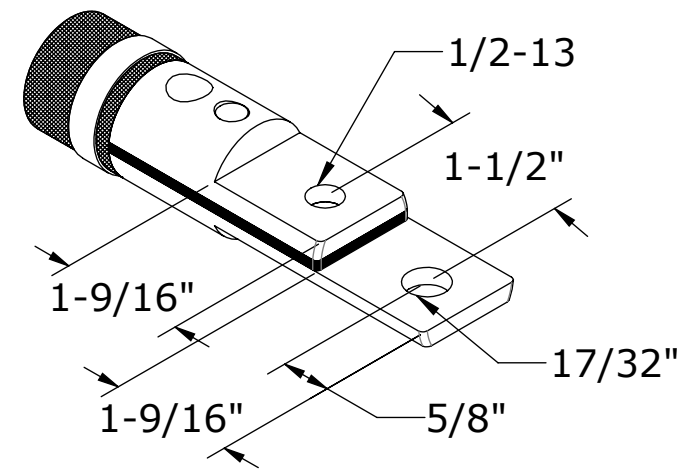
"B"



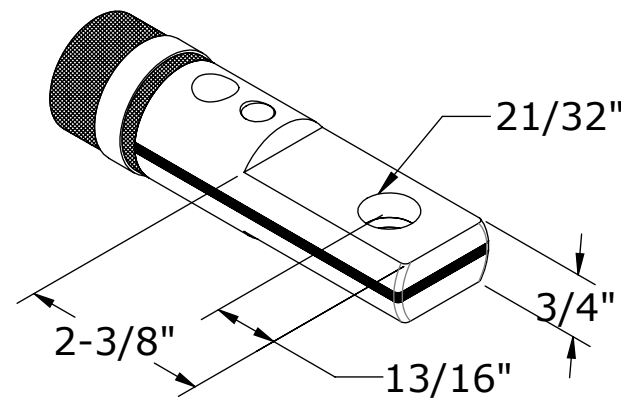
"C"



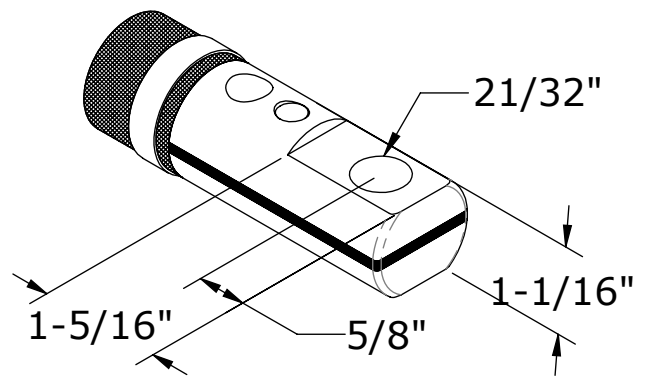
"D"



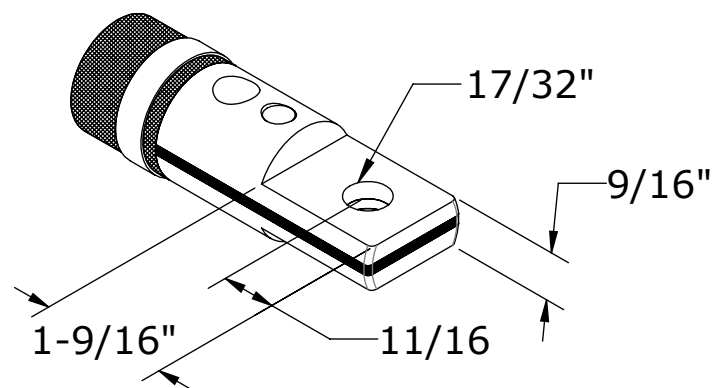
"E"



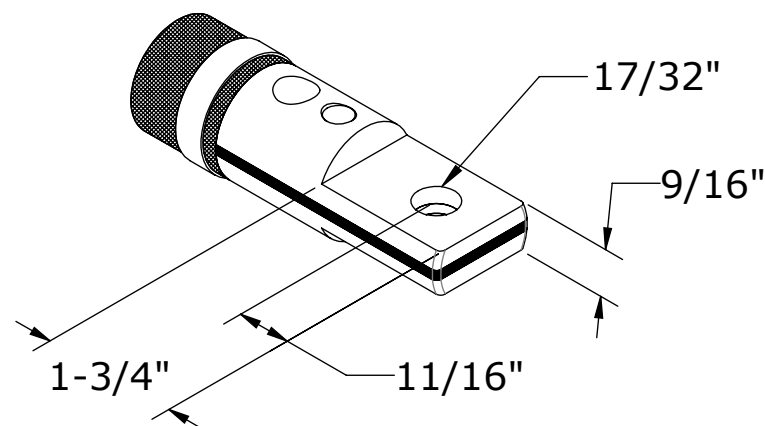
"F"



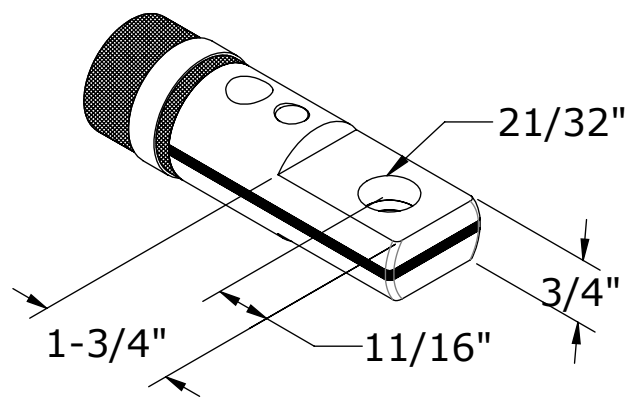
"G"



"H"



"J"



TERMINAL DATA		
MCM SIZE	TERMINAL DIA.	OUTER HOSE DIA.
257 & 300	1-3/8"	1-15/16"
400 & 450	1-5/8"	2-5/16"
500	1-5/8"	2-5/16"
600 & 650	1-7/8"	2-9/16"

KICKLESS CABLES can be ordered with any combination of the terminals shown above. Many other terminals available upon request. We can build special per your specifications.

CAL	FLEX	UNIFLEX
"A"	---	---
"B"	12R	F75
"C"	17H	F
"D"	17T	FIT
"E"	12RX	F-75-L
"F"	17HC	FA
"G"	9L	N
"H"	9L4	LN
"J"	12R2	LF