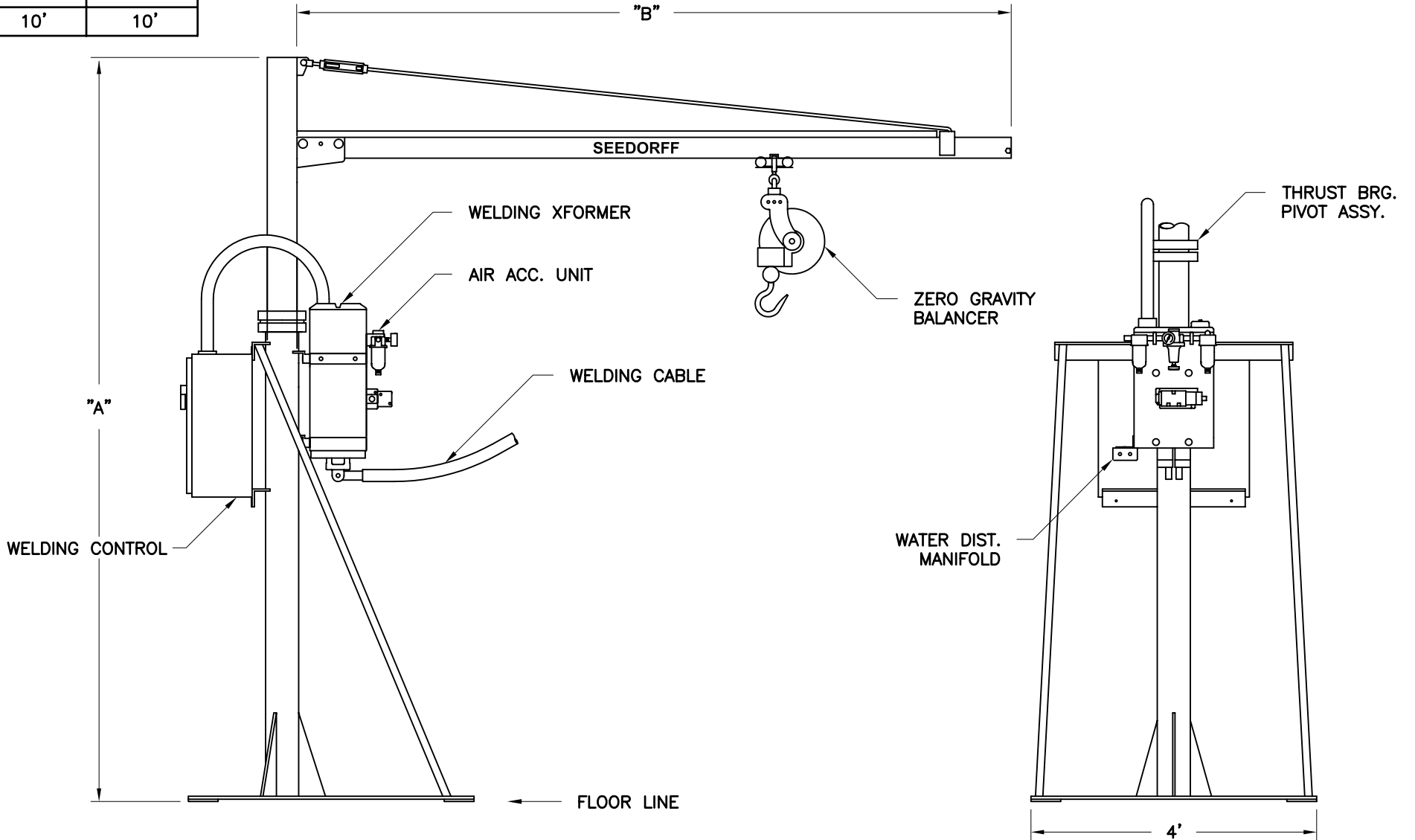


"A" (FT.) MAST	"B" (FT.) BOOM
8'	8'
10'	10'



UNLESS OTHER- WISE SPECIFIED, TOLERANCES: FRACTIONS=±1/32 DEC .XX=±.015 DEC .XXX=±.005 ANGLES=±1/2°	A.P. SEEDORFF & CO., INC.		
	RESISTANCE WELDING EQUIPMENT		
SCALE	DWG. SIZE	DWG. NO.	REV.
NONE	A	8235S	

TEL. 714-252-5330
 FAX 714-252-5335
 1338 N. KNOLLWOOD CIRCLE, ANAHEIM, CA