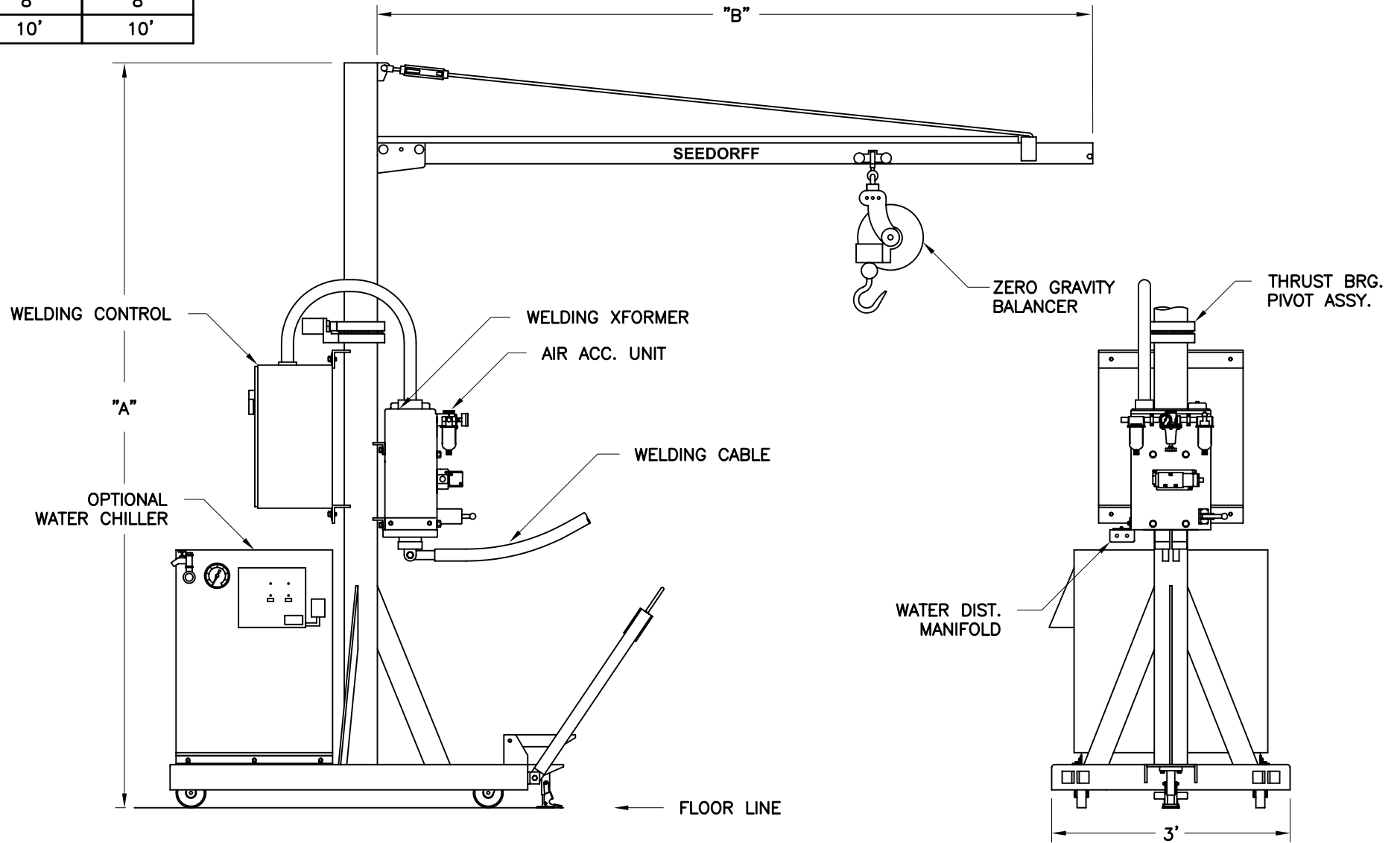


"A" (FT.) MAST	"B" (FT.) BOOM
8'	8'
10'	10'



UNLESS OTHER-
WISE SPECIFIED,
TOLERANCES:
FRACTIONS= $\pm 1/32$
DEC .XX= $\pm .015$
DEC .XXX= $\pm .005$
ANGLES= $\pm 1/2^\circ$

A.P. SEEDORFF & CO., INC.
RESISTANCE WELDING EQUIPMENT
TEL. 714-252-5330
FAX 714-252-5335
1338 N. KNOLLWOOD CIRCLE, ANAHEIM, CA

SCALE	DWG. SIZE	DWG. NO.	REV.
NONE	A	8235P	